

Patents, Designs, and Trade Marks

SUPPLEMENT

TO THE

NEW ZEALAND GAZETTE

OF

THURSDAY, DECEMBER 14, 1911.

Published by Authority.

WELLINGTON, THURSDAY, DECEMBER 14, 1911.

CONTENTS.

	Page
International and Intercolonial Arrangements for the Mutual Protection of Patents and Trade Marks ..	3731
Notice <i>re</i> Flax Bonus	3732
Notice <i>re</i> Holidays	3732
Erratum	3732
Applications for Letters Patent filed ..	3732
Complete Specifications filed after Provisionals ..	3733
Complete Specifications accepted	3733
Provisional Specifications accepted	3737
Letters Patent sealed	3738
Letters Patent on which Fees have been paid ..	3738
Subsequent Proprietors of Letters Patent registered ..	3738
Request to Amend Applications for Letters Patent allowed	3738
Request for Correction of Clerical Error in Application for Letters Patent	3738
Application for Letters Patent opposed	3738
Applications for Letters Patent abandoned ..	3738
Application for Letters Patent void	3738
Applications for Letters Patent lapsed	3739
Letters Patent void	3739
Design expired	3739
Applications for Trade Marks filed	3739
Applications for Registration of Trade Marks ..	3739
Trade Marks registered	3744
Trade Mark Renewal Fees paid	3744
Trade Marks removed from the Register	3744
Application for Trade Mark withdrawn	3744
Application for Trade Mark opposed	3744
Applications for Trade Marks abandoned or refused ..	3744

International and Intercolonial Arrangements for the Mutual Protection of Patents and Trade Marks.

INTERNATIONAL CONVENTION.

THE following countries now belong to the Convention :—

Australia.	Hungary.
Austria.	Italy.
Belgium.	Japan.
Brazil.	Mexico.
Ceylon.	New Zealand.
Cuba.	Norway.
Denmark and Faroe Islands.	Portugal, with the Azores and Madeira.
Dominican Republic.	Servia.
France, with Algeria and colonies.	Spain.
Germany.	Sweden.
Great Britain.	Switzerland.
Holland, with East Indian colonies, Curaçoa, and Surinam.*	Trinidad and Tobago.
	Tunis.
	United States of America.

* Trade marks only.

Separate arrangements have been made between Australia and New Zealand.

Particulars of the Convention and of such arrangements may be seen in the following *Gazettes* :—

Notification of adhesion of New Zealand to the Convention, with text thereof (in English), in the *Gazette* of 26th November, 1891; notification of adherence of New Zealand to the Additional Act of the Convention, in Patents Supplement to *Gazette* No. 101, of the 16th November, 1905; Order in Council applying section 103 of the Imperial Act to New Zealand, in *Gazette* No. 27, of the 15th May, 1890; Orders in Council containing arrangements between Australia and New Zealand, in Patent Supplements to the *Gazette* Nos. 22, of the 9th March, 1905, and 38, of the 20th April, 1905.

NOTE.—The next issue of the Patents, Designs, and Trade Marks Supplement to the *New Zealand Gazette* will be published on Thursday, the 11th day of January, 1912.

Bonus for Improvements in connection with the Preparation and Utilization of New Zealand Hemp (*Phormium tenax*).—Notice No. 1588.

Department of Agriculture, Commerce, and Tourists,
Wellington, 10th October, 1911.

WITH reference to the offer of the New Zealand Government to pay a bonus of £12,000 for improvements in connection with the preparation and utilization of New Zealand hemp, the following notice by the New Zealand Flax-millers' Association conveying the terms of the offer is published for general information.

THOS. MACKENZIE,
Minister of Agriculture and of Industries
and Commerce.

NOTICE TO INVENTORS, CHEMISTS, AND SCIENTISTS.

Bonus of £12,000 (nearly \$60,000) offered.

THE New Zealand Government has agreed to pay £12,000 as a bonus or bonuses for improvements in connection with—

- (1.) The extraction and dressing of fibre from the New Zealand hemp-plant (*Phormium tenax*); or
- (2.) The utilization of the by-products obtained during the processes of extracting the fibre,—

on condition that the machine or process in regard to which the whole or any part of the bonus is to be paid shall be recommended by the New Zealand Flax-millers' Association, and approved by the Government.

The association is accordingly prepared to receive applications for the bonus until 30th November, 1913.

A leaflet giving further particulars can be obtained by writing to or calling upon any of the following:—

The High Commissioner for New Zealand, 13 Victoria Street, London S.W.

The Department of Agriculture, Washington, U.S.A.
The Department of Agriculture, Ottawa, Canada.
The Secretary, N.Z. Flax-millers' Association, Palmerston North, New Zealand.
The District Agent of the Department of Agriculture, Commerce, and Tourists at Auckland, Napier, Wanganui, Wellington, Christchurch, Dunedin, or Invercargill, New Zealand.

LOUIS SEIFERT,
President of the N.Z. Flax-millers'
Association.

Palmerston North, New Zealand.

Christmas and New Year Holidays.

Office of the Minister of Internal Affairs,
Wellington, 23rd November, 1911.

IT is hereby notified for general information that Monday, the 25th December, Tuesday, the 26th December, and Wednesday, the 27th December, 1911, and Monday, the 1st January, and Tuesday, the 2nd January, 1912, will be observed as holidays in the public offices of the Government of New Zealand.

HUGH POLLEN,
Under-Secretary.

Erratum.

IN Gazette No. 79, of the 5th October, 1911—Notice of Acceptance of Complete Specifications—the date of application of No. 28472 is given as "22nd September, 1909," instead of "22nd September, 1910."

Applications for Letters Patent filed.

LIST of applications for Letters Patent filed. (Where a complete specification accompanies an application an asterisk is affixed; in all other cases a provisional specification has been lodged. In all cases where the applicant is not the inventor the name of the latter appears in italics in brackets. † Denotes an application under the International and Intercolonial Arrangements.)

Barelay, G. M. L., St. Leonards, N.Z.	Coal-weighing apparatus; 30548; 24th November.
Clarke, T. E., Hobsonville, N.Z.	Building-construction*; 30549; 24th November.
Forsman, R. A., Waharoa, N.Z.	Cot-attachment to bed; 30550; 24th November.
Forsman, A. L., Waharoa, N.Z.	Cot-attachment to bed; 30550; 24th November.
Holden, F., Auckland, N.Z.	Game; 30551; 22nd November.
Munden, A. J. W., Dunedin, N.Z.	Electrical announcer; 30552; 23rd November.
Muir, J. M., Dunedin, N.Z.	Electrical announcer; 30552; 23rd November.
Jacomb, F. N., Epsom, N.Z.	Propeller; 30553; 27th November.
Gilberd, G., Henderson, N.Z.	Oil-lamp stove*; 30554; 23rd November.
Duggan, W., jun., Dunedin, N.Z.	Door-closing apparatus; 30555; 23rd November.
Forseck, J., Mexico, D.F.	Hackling-machine*; 30556; 24th November.
Oouls, Culling, and Co., Limited, Dunedin, N.Z. (<i>Gregory, W. E.</i>)	Manifolding invoice sheet; 30557; 24th November.
Bridgman, H. A., Mabel Bush, N.Z.	Wire-reel holder; 30558; 24th November.
Silverstone, M. W., Dunedin, N.Z. (<i>McAdam, P.</i>)	Deck-chair; 30559; 24th November.
Humphrey, H. A., Westminster, Eng.	Liquids-forcing, &c.*; 30560; 30th September.†
Marks, H. V., Pyrmont, N.S.W.	Nail-head machine*; 30561; 27th November.
Cooper, C., Mangatoki, N.Z.	Pipe-wrench*; 30562; 27th November.
O'Connor, C. M. M., Oxley, Qsld.	Calculating-machine*; 30563; 27th November.
Witt, T. W., Wellington, N.Z.	Food-safe; 30564; 27th November.
Gallus, H., Mt. Somers, N.Z.	Hatpin; 30565; 28th November.
Moult, S. W., Wellington, N.Z.	Internal-combustion engine, starting-device; 30566; 29th November.
Peat, F., Napier, N.Z.	Spring clamp; 30567; 29th November.
Palethorpe, F. C., Wellington, N.Z.	Water-aerator, &c.; 30568; 29th November.
McGill, C. H., Wellington, N.Z.	Water-aerator, &c.; 30568; 29th November.
Rowe, D., Wellington, N.Z.	Water-aerator, &c.; 30568; 29th November.
O'Donoghue, M., Glen Innes, N.S.W.	Sheep and cattle loading*; 30569; 22nd December, 1910.†
White, J. F., Shannon Vale, N.S.W.	Sheep and cattle loading*; 30569; 22nd December, 1910.†
Hope-Johnstone, C. H. E., Tahikaramaea, N.Z.	Infants-milk preparation*; 30570; 29th November.
Bauert, W., Forbes, N.S.W.	Oilcan, &c.*; 30571; 4th January.†
Maddren, C., Christchurch, N.Z.	Twine-balling machine, lump-catcher; 30572; 28th November.
Wardrop, R. S., Dunedin, N.Z.	Plaster partition reinforcement*; 30573; 27th November.
Suisted, C. W. R., Wanganui, N.Z.	Weed-destroyer; 30574; 29th November.
Scott, R. A., Grey Lynn, N.Z.	Goods-displaying standard and bracket; 30575; 28th November.
Gibson, C. B., Grey Lynn, N.Z.	Goods-displaying standard and bracket; 30575; 28th November.
Burke, J., Auckland, N.Z.	Runaway-horse preventer; 30576; 27th November.
Browne, M. A., Christchurch, N.Z.	Kettle; 30577; 29th November.
United Shoe Machinery Company, Paterson, U.S.A. (<i>Bates, A.</i>)	Boot, &c., machine; 30578; 1st December.
Canfield, R. A., Rhode Island, U.S.A. (<i>Brown, H. M.</i>)	Stopper-making machine*; 30579; 1st December.
Thomas, E. J., Richmond, Nelson, N.Z.	Seed-cleaner; 30580; 1st December.
Gill, A. E., Redwood's Valley, N.Z.	Clod-crusher*; 30581; 1st December.
Holmes, J. S., Alfredton, N.Z.	Flooring, &c., cramp; 30582; 2nd December.

Mahoney, J., Wellington, N.Z.	Spouting-bracket apparatus; 30583; 2nd December.
Palmer, F., Wellington, N.Z.	Mine safety-lamp; 30584; 4th December.
Willis, A. D., Limited, Wanganui, N.Z.	Card-cutting machine; 30585; 5th December.
Jessep, H. C., Wellington, N.Z.	Cash-register printing-cylinder; 30586; 5th December.
United Shoe Machinery Company, Paterson, U.S.A.	Welt-butttacking-machine; 30587; 5th December.
(<i>Keyes, E. L., and McLeod, A. A.</i>)			
Vandervell, C. A., Acton Vale, Eng.	Dynamo-speed regulator*; 30588; 5th December.
Midgley, A. H., Acton Vale, Eng.	Dynamo-speed regulator*; 30588; 5th December.
Watson, J. C., Kamarooka, Vic.	Harvester bag-holder*; 30589; 6th December, 1910.†
Ferra, P., Caluire-et-Cuire, France	Insulating compound*; 30590; 9th December, 1910.†
Nilsson, J. L., Stockholm, Sweden	Temperature of liquids regulator*; 30591; 5th December.
Allen, H., London, Eng.	Provision, &c., box*; 30592; 5th December.
Cameron, J., London, Eng.	Provision, &c., box*; 30592; 5th December.
Cox, F., Auckland, N.Z.	Boiler, &c., furnace; 30593; 5th December.
Gregory, D., Mercer, N.Z.	Disc-harrow; 30594; 2nd December.
Gregory, G., Remuera, N.Z.	Dress-hook fastening*; 30595; 4th December.
Barry, H. P., Waihi, N.Z.	Rock-drill dust-trap; 30596; 4th December.
Hayes, E., Otarehua, N.Z.	Windmill; 30597; 4th December.
Burridge, S. V., Petone, N.Z.	Skin-painter; 30598; 6th December.
United Shoe Machinery Company, Paterson, U.S.A. (<i>Furber, F. M.</i>)	Heel-finishing machine; 30599; 7th December.
Schwer, E., Enmore, N.S.W.	Gas and tap interlocking*; 30600; 7th December.
Alexander, W. J., Christchurch, N.Z.	Tram-rail cleaner; 30602; 7th December.
Humphrey, H. A., London, Eng.	Gas-compressor, &c.*; 30603; 17th January.†
Owen, C. S., Dunedin, N.Z. (<i>Pedersen, J. T.</i>)	Lubricator; 30604; 6th December.
Salmon, J. B., Dunedin, N.Z.	Skiving-machine cutter-mounting; 30605; 6th December.
Roy, E. W., Dunedin, N.Z.	Skiving-machine cutter-mounting; 30605; 6th December.
Cotton, R. J., Waipori, N.Z.	Bird-frightener*; 30606; 6th December.
Webb, A. E., Wellington, N.Z.	Disinfector; 30607; 8th December.
Masters, A. P., Wellington, N.Z.	Disinfector; 30607; 8th December.
Wohlens, C. P., Winiam, Victoria	Gram-drill attachment*; 30608; 8th December.
Connors, W. F., Wellington, N.Z.	Dental articulator; 30609; 8th December.
Wright, A. H., Auckland, N.Z.	Advertisement, &c., displaying; 30610; 7th December.

Complete Specifications filed after Provisionals.

LIST of complete specifications filed after provisional specifications from the 24th November to the 7th December, 1911, inclusive:—

- No. 29178.—J. H. Graham, tramway-point operating.
- No. 29187.—H. W. Stretch, cheese-cutter.
- No. 29202.—United Shoe Machinery Company, pulling-over machine. (O. Ashton.)
- No. 29207.—H. R. Carey, fire-bridge construction.
- No. 29212.—G. E. Collins, chair-adjustment.
- No. 29214.—G. Craw, flax-washer.
- No. 29219.—E. Moss, electrical annunciator.
- No. 29233.—D. G. Wills, envelope.
- No. 29267.—R. H. Bartlett, teat-cup.
- No. 29277.—P. Coyne, animal-brand.
- No. 29305.—United Shoe Machinery Company, boot-sole edge-operating machine. (J. B. Hadaway and J. V. Allen.)
- No. 29344.—United Shoe Machinery Company, boot-sewing machine. (A. E. Johnson.)
- No. 29349.—H. W. Yeoman, ladder.
- No. 29425.—J. Annand, concrete building.
- No. 29509.—R. H. Bartlett, milking-machine bucket.
- No. 30427.—J. E. Bull, tire-puncture detector.
- No. 30523.—P. E. Cunningham and R. H. P. Reid, spark-arrester.

Notice of Acceptance of Complete Specifications.

Patent Office,
Wellington, 13th December, 1911.

COMPLETE specifications relating to the undermentioned applications for Letters Patent have been accepted, and are open to public inspection at this office. Any person may, at any time within two months from the date of this *Gazette*, give me notice in writing of opposition to the grant of any such patent. Such notice must set forth the particular grounds of objection, and be in duplicate. A fee of 10s. is payable thereon.

The copies of claims and extracts from the specifications and drawings are merely intended to give some further indication of the invention than is disclosed in the title, and the complete specifications and drawings should be referred to for a description of the invention.

No. 28392.—7th September, 1910.—WILLIAM THOMAS OLIVER, of Christchurch, New Zealand, Foreman of Gas Company. Improvements in or relating to the control valves of gas-burners.*

Claim.—(1.) In gas-burners, a thermostatic strip arranged to be acted on by the heat of the burner-flame, fastened at one end to the burner and left free at the other, and a valve normally wholly closing the gas-passage to the burner adapted to be opened and retained in the open position by the movement of the free end of the strip under the expansive action of the heat, and to be freed to close on the contraction of the strip, substantially as and for the purposes specified.

(Specification, 5s. 6d.)

[NOTE.—Here follow two other claims.]

No. 28769.—23rd November, 1910.—CHARLES TANDY, of Taranaki Street, Wellington, New Zealand, Coachbuilder. Improved apparatus for playing outdoor games in a building or tent.*

Claim.—A revolving stage or platform as shown, with fixed goals, and a race or trough to play the balls in as required.

(Specification, 2s.)

No. 28815.—1st December, 1910.—ERNEST CHARLES AUSTIN, of Wellington, New Zealand, Foreman of Works. Improvements in or relating to the inflation valves and pumps of pneumatic tires.*

Claim.—(1.) In means for inflating pneumatic tires, an air-pump having an outlet from the cylinder, and a truncated cone-shaped sleeve surrounding such outlet and adapted to pass over the inflation-valve of the tire, substantially as specified.

(Specification, 3s. 6d.)

[NOTE.—Here follows one other claim.]

No. 28852.—18th December, 1909†.—AUGUSTE JEAN LECOUTRE, of No. 46 Lovell Point, Worcester, Massachusetts, United States America, Designer. Corset.

Claim.—A corset having a front adjusting-strap (as 2) in combination with a loop (as 6), of suitable flexible textile material, said loop being permanently secured at one end to the lower edge of said adjusting-strap and at its other end to the lower edge of the corset behind said strap, and a hose-supporter having at its upper end a metal loop or link (as 7), through which said textile loop loosely passes, so that the latter is free to move in the said metal loop or link.

(Specification, 4s. 9d.)

No. 28862.—9th December, 1910.—WALTER WILKINSON, of Chertsey, New Zealand, Farmer. Improvements in axles of vehicles.*

Claim.—A bent tube fitted into a recess in the axle of a vehicle, substantially as described and shown on the drawing.

(Specification, 1s.)

No. 28973.—10th January, 1911.—ALFRED SEIFERT, of Masterton, New Zealand, Flax-miller. Improved apparatus for gripping and conveying flax for scutching and the like purposes.*

Extract from Specification.—According to my invention, I employ two grooved pulleys or drums arranged one below

the other in parallel planes, the periphery of one pulley approximately coinciding with the periphery of the other. An endless chain passes around one of these pulleys and around a guide and tension pulley, and the flax, which is gripped between this chain and the pulley, conveyed to a scutcher, a wall, table, or the like being used to divide the fibre so that only one end of it is acted upon in the scutcher. The other pulley is also provided with an endless chain passing around a guide and tension pulley, rotated in the opposite direction to the guide-pulley previously referred to.

(Specification, 4s. 6d.)

[NOTE.—The above extract from the specification is inserted in place of the claims.]

No. 28974.—10th January, 1911.—ALFRED SEIFERT, of Masterton, New Zealand, Flax-miller. Improved apparatus for sorting blades of flax.*

Extract from Specification.—The flax-blades are gripped by a plurality of superposed endless travelling chains, ropes, or the like, and are carried thereby for varying distances according to the length of the blade, and are then released, and fall into bins or upon trolleys or the like. A travelling band or table beneath the chains at the place where the blades are fed in brings the butts of the blades into line, and a revolving beater-drum separates the blades and removes waste material.

(Specification, 4s. 3d.)

[NOTE.—The above extract from the specification is inserted in place of the claims.]

No. 28986.—12th January, 1911.—CHARLES TIMMS, of Sockburn, near Christchurch, New Zealand, Caretaker (nominee of Thomas Ewen Baldwin Poole, Clerk, travelling in Borneo). Improved means for use in displaying advertisements or other matter.*

Claim.—(1.) Means for use in displaying advertisements and other matter, consisting of a disc having a hollow or concave surface adapted to receive the matter, a pillar extending outwardly from the centre of the disc, a lamp supported in the outer end of the pillar, and a reflector-shade supported in front of the lamp and shaped to throw the light thereof back over the surface of the disc, substantially as specified.

(Specification, 2s. 3d.)

[NOTE.—Here follows one other claim.]

No. 29040.—25th January, 1911.—COLVILLE CHRISTIE, of Royal Insurance Buildings, at Pitt and Spring Streets, Sydney, New South Wales, Australia, Public Accountant (assignee of Henry Hawes Matcham Whittell, of Becroft, near Sydney aforesaid, Customs and Shipping Agent). Improved earth-excavator.*

Claim.—(1.) Improved excavator, comprising essentially a plurality of revolving boring-tools, a plurality of revolving trimming-discs, and an endless conveying apron or belt, substantially as described and explained. (Specification, 13s.)

[NOTE.—Here follow twenty-seven other claims.]

No. 29329.—31st January, 1911†.—WILLIAM HENRY GREGORY GEAKE, of Monomeath Street, Bexley, Sydney, Australia, Manufacturers' Agent. Improvements relating to the manufacture of shirts and like garments.

Claim.—(1.) In an improved method and means of shortening the length of sleeves of shirts or similar garments, the use of a suitable piece of braid or other stiffened material, of a torpedo shape if desired, substantially as described, and as illustrated in Fig. 2 of the drawings. (Specification, 3s. 3d.)

[NOTE.—Here follow two other claims.]

No. 29555.—17th May, 1911.—ROBERT BURN, of Petone, Wellington, New Zealand, Engineer. Improvements in apparatus for folding telegraph forms, circulars, and the like.*

Claims.—(2.) In a folding-machine of the class described, a framework, an upwardly disposed former supported upon a horizontal axis journaled therein, a plurality of leaf-springs secured against the forward face of said former, a downwardly operating-blade coacting with said former, means for deflecting said former rearwardly, a forwardly operating-blade coacting with said former, and means for advancing last-said blade between said former and said springs, substantially as and for the purpose specified. (3.) In a folding-machine of the class described, a framework, a carriage adapted to oscillate upon a horizontal axis therein, a former supported upon said carriage, a coacting blade operating in guide-slots in said framework, a plate or plates secured upon said carriage, and a slot formed in said plate or plates adapted to align with said guide-slots, and with them to receive said blade when said former is in the upward position, substantially as and for the purpose specified. (Specification, 15s. 9d.)

[NOTE.—Here follow four other claims.]

No. 29641.—31st May, 1911.—HERBERT CHAPMAN, of Tayforth, near Wanganui, New Zealand, Dairy-farmer. Improved mechanical milk-releaser.*

Extract from Specification.—My invention consists of a suitably shaped receptacle supported upon a rocking shaft, and is formed into two chambers by means of a central partition. Milk from the units of the milking plant passes to the apparatus by a common pipe through a suitably constructed two-way inlet-valve, which admits milk to the uppermost receptacle and cuts off the milk to the lower receptacle. A similar valve is provided on the opposite side of the receptacle, and is connected to the usual vacuum-pipe, and operates synchronously with the inlet-valve. The receptacle is provided with a valve at its outer ends, through which the milk flows from the chambers into a suitable vessel.

(Specification, 6s.)

[NOTE.—The above extract from the specification is inserted in place of the claims.]

No. 29698.—5th June, 1911.—JOHN ROBERT BULLEN, of Tararus Terrace, Parnell, Auckland, New Zealand, Engineer. An attachment for a garden or other syringe for efficiently spraying to combat orchard and garden pests.*

Claim.—(1.) In an improved attachment for garden and other syringes, a valve of the kind specified, formed integral with an adjustable nozzle by means of a hollow connection, and fitted within the elbow and kept normally pressed against the cap containing the inlet-holes by means of a coiled spring, in the manner and for the purpose set forth as described and illustrated. (Specification, 3s. 9d.)

[NOTE.—Here follow four other claims.]

No. 29953.—4th August, 1910†.—BENJAMIN SEDGELY SMITH, of Martin Place, Sydney, New South Wales, Australia, Gentleman. Improvements in the wet dressing of sulphide ores.

Extract from Specification.—Several inclined troughs or tables, each of progressively increasing width, are arranged in series in a descending order, a settling-box being provided between the foot of every such trough or table and the head of the next succeeding trough or table, whilst near the bottom of the lowest trough or table in the series a narrow transverse slot is made, through which the underlying strata of the flowing water and portion of the ore-contents moving therewith are withdrawn. (Specification, 10s.)

[NOTE.—The above extract from the specification is inserted in place of the claims.]

No. 29971.—3rd August, 1911.—JAMES STEWART, of Invercargill, New Zealand, Whitesmith. An improved metal label.

Extract from Specification.—The invention consists in the provision of a piece of sheet lead, preferably of fine gauge, partially encased in zinc or the like metal, or in any suitable material, to form a backing and to permit the name or mark being written with a pencil or stylus or with any suitable marker. (Specification, 1s. 9d.)

[NOTE.—The above extract from the specification is inserted in place of the claims.]

No. 29996.—9th August, 1911.—SIMON McDONALD BOWER, of 18 Heads Road, Wanganui, New Zealand, Engineer. Automatic milk-sampler for milking-machines.

Claims.—(1.) The milk-sampler with tee-cock and bottle, substantially as and for the purpose specified. (2.) The milk-sampler as described and explained, as illustrated in the drawing, and for the purpose set forth. (Specification, 1s. 6d.)

(Specification, 1s. 6d.)

No. 30033.—10th November, 1910†.—JOHN GLEN NEWMAN, of 302 Park Road, Moore Park, Sydney, New South Wales, Australia, Engineer. Spark-igniting device for gas- and oil-engines.

Claim.—(1.) A spark-striker igniting device for an internal-combustion engine, comprising a rotatable disc and a fixed pencil in light frictional contact with said disc, one of such striker-elements being constructed of pyrophoric material and the other of abradent hard metal. (Specification, 14s.)

[NOTE.—Here follow nine other claims.]

No. 30127.—14th March, 1911†.—WILLIAM HART, of "Langside," Jeffrey Street, New Farm, Engineer, and JOSEPH MARK DESCHAMPS, of 360-362 Queen Street, Manager, both of Brisbane, Queensland, Australia. Improvements in retorts for burning charcoal and other analogous substances.

Extract from Specification.—The invention consists of a retort, preferably cylindrical in shape, provided with controllable draught and discharge door at the bottom, and a series of controllable draught and sight vents arranged around the circumference of the retort at regular intervals, each series being at a given distance apart, and disposed at al-

ternative vertical positions to each other, the number of series depending upon the height of the retort. The retort is provided with a removable revolving or sliding top for feeding as required, and may be removed by a derrick and blocks and tackle, or by any other suitable means.

(Specification, 4s. 6d.)

[NOTE.—The above extract from the specification is inserted in place of the claims.]

No. 30183.—13th September, 1910†.—LOUIS JOSEPH, of Gipps Street, Pyrmont, near Sydney, New South Wales, Australia, Wire-mattress Manufacturer. Improvements in bedsteads.

Claim.—(1.) In knock-down bedsteads, posts each composed of a main part, to which a side rail of a mattress is secured, and top and bottom parts detachably secured in or hinged to said main part, substantially as described and illustrated.

(Specification, 3s. 9d.)

[NOTE.—Here follow three other claims.]

No. 30195.—12th September, 1911.—VALENTINE HENRY MACKINNEY, of 24 the Parade, Golders Green, Lighting Engineer, and STEPHEN DRUMMOND CHALMERS, of 25 Cornwall Road, Stroud Green, Optician, both of London, England. A new method of and apparatus for illuminating objects.

Claim.—(1.) A reflector for the distribution of light, so constructed that the direction of the reflecting surface changes continuously so that the rate of change of the direction from the source to a point on the mirror bears, to the rate of change of the direction of the beam reflected from this point, a ratio which is a function of the inclination of the reflected ray to the surface illuminated.

(Specification, 6s. 3d.)

[NOTE.—Here follow eight other claims.]

No. 30260.—27th September, 1911.—JACOB DONGES, of Drayton, Queensland, Australia, Farmer. Improvements in screening-mechanism.

Claims.—(1.) In screening-mechanism, a suitable frame in combination with a plurality of rollers, having, for grading purposes, between them zigzag or like spaces of different widths, and means for the rotation of the said rollers in the same direction, all substantially as set forth.

(Specification, 3s. 9d.)

[NOTE.—Here follow two other claims.]

No. 30266.—29th May, 1911†.—JOHN CHRISTOPHER FERRY, of 241 Parramatta Road, Leichhardt, near Sydney, New South Wales, Australia, Master Tailor. An improved hip-pocket for mens and youths' trousers, breeches, and such-like garments.

Claim.—(1.) A hip-pocket, with no opening at back of trousers, the upper-part fabric of which is in one piece with or joined to the corresponding part of side pocket, substantially as described.

(Specification, 2s.)

[NOTE.—Here follow five other claims.]

No. 30287.—24th October, 1910†.—WALTER MARKS, of 60-62 Clarendon Street, South Melbourne, Victoria, Australia, Agricultural Implement-manufacturer (assignee of Richard Thomas Park, of 60-62 Clarendon Street aforesaid, Engineer). Improved application of driving-gears to feed-rollers for chaffcutters, also for fish- and flesh-choppers and the like.

Claim.—(1.) A drive gear for the feed-rolls of chaffcutters and like machines, comprising a drive wheel operating the fixed roller, a link mounted upon the spindle of said drive wheel, and connected with another link adapted to move with the adjustable roller, in combination with a gear wheel mounted upon said connected links and meshing with said drive wheel, and the gear wheel operating said adjustable roller, substantially as and for the purposes specified, and as illustrated in the drawings.

(Specification, 5s. 6d.)

[NOTE.—Here follow two other claims.]

No. 30301.—4th October, 1911.—WILLIAM SUTHERLAND LOGAN, of 604 Cumberland Street, Dunedin, New Zealand, Coppersmith. Improved water-mill.

Extract from Specification.—A series of buckets of triangular cross-section is arranged upon carrying-rings in such manner that the lowermost bucket is at right angles to the current, while the buckets entering and leaving the water are respectively at angles to produce the most effective result and to have little effect in retarding the wheel. (Specification, 2s.)

[NOTE.—The above extract from the specification is inserted in place of the claims.]

No. 30302.—2nd October, 1911.—GEORGE DAVID WHITE, of Dunedin, New Zealand, Contractor. Improved bagless paper cooker.

Claim.—(1.) In the class of cooking known as "paper-bag cookery," a receptacle (formed preferably of thin metal per-

forated all over) capable of being lined with paper and covered with same, the said papers being turned outwards and downwards, and clipped with a clip, all substantially as shown on the drawing and as described and explained.

(Specification, 3s.)

[NOTE.—Here follow two other claims.]

No. 30303.—2nd October, 1911.—ERNEST HAYES, of Oturuha, New Zealand, Millwright and Engineer. An improved machine for coiling wire or rope.

Claim.—(1.) In reels for winding or coiling ropes or wire, a reel mounted on a stand so as to revolve, having the back arms fixtures and the front ones capable of disappearing below the surface of the body of the said reel, by one of the bosses being capable of being given part of a turn to one side, thus taking all the front arms down as required, all substantially as shown on the drawing and as described and as explained.

(Specification, 2s. 9d.)

[NOTE.—Here follow two other claims.]

No. 30306.—24th January, 1911†.—HERBERT GEORGE PENNINGTON, of Lulie Street, Abbotsford, Victoria, Australia, Engineer. Improvements in teat-cups of milking-machines.

Extract from Specification.—A teat-cup consisting of an inner flexible lining or casing (preferably of rubber) having a rib or bead at its upper edge adapted to engage an externally grooved metal ring, upon which sits an annular cap, which is held in position by a flange screwed on the top of the outer casing, the said inner casing or lining being held in position at the bottom of the cup by a nipple having a screw nut or washer.

(Specification, 5s.)

[NOTE.—The above extract from the specification is inserted in place of the claims.]

No. 30324.—7th October, 1911.—RALPH E. HARRISON, of Kohukohu, New Zealand, Settler. Improvements in window-sashes.

Extract from Specification.—The invention consists in constructing the window-sash with a narrow opening extending horizontally across it, and combining therewith a plate arranged to extend inwardly and downwardly from the top edge of the opening. The opening may be made in the top horizontal member of the sash-frame, or in the pane of glass, and the plate employed may be hinged, so that when desired it may be turned down to cover the opening against the entry of draughts, &c.

(Specification, 2s. 3d.)

[NOTE.—The above extract from the specification is inserted in place of the claims.]

No. 30328.—6th October, 1911.—WILLIAM HENRI LUTHER, of Frederick Braby and Company, Limited, of Petershill Road, Glasgow, Scotland, Manufacturer. Improvements in and relating to roof-lights and the like.

Claim.—(1.) In roof-lights and the like, a ventilating opening at the lower end closed by an oscillating plate or frame actuated to open or close by a chain, cord, or the like connected to the end of an arm or lever secured on the oscillating plate, substantially as described and illustrated by the drawings.

(Specification, 2s. 9d.)

[NOTE.—Here follow two other claims.]

No. 30338.—5th November, 1910†.—RALPH SANDERSON, of off Grey Street, West Brunswick, Melbourne, Victoria, Australia, Glass-bottle Finisher. Improvements on producer-gas furnaces for smelting and heating purposes.

Claim.—(1.) In a regenerative producer-gas furnace, flues by which the waste gases are led in contact with the walls of the producers, as well as with the walls of the flues which carry the air of combustion, as and for the purposes described.

(Specification, 4s. 6d.)

[NOTE.—Here follow two other claims.]

No. 30341.—11th October, 1911.—WILLIAM LAMBERT IMLAY, of 9 South 16th Street, Philadelphia, Pennsylvania, United States of America, Inventor. Improvements in apparatus for the recovery of gold, silver, and other precious metals from their ores.

Extract from Specification.—My invention more particularly consists in the employment of some point, between the stamp-battery and the slimes department, of the lixiviating apparatus embodying my improvements, the said apparatus comprising a slowly rotating cylinder having one end arranged for receiving the pulverized ore and cyanide-solution and the other end arranged for the automatic delivery of the pulp containing the slimes, sands, and solution, the said cylinder having upon its interior wall a helical inwardly extending flange, supplemental by a plurality of longitudinal inwardly directed ribs or bucket structures, which operate, during its rotation, to slowly convey the contents from the feeding to the discharge end of the cylinder, and at the same time to carry up the pulp and spill it downward through the air with

resulting splash, thereby subjecting the pulp and cyanide-solution to agitation and aeration, and thereby producing leaching so effectually that the finer values are dissolved out of the pulp with great rapidity. (Specification, 12s. 6d.)

[NOTE.—The above extract from the specification is inserted in place of the claims.]

No. 30343.—24th November, 1910.†—WILHELM FREDERICK FLOESSELL, of "Linton," Pitt Street, Kirribilli, near Sydney, New South Wales, Australia, Civil Engineer. Improvements in dog-spikes for fastening rails to sleepers.

Extract from Specification.—The invention consists in providing the shank of the spike with two or more threads or spirals of angular section, each of which forms a helix or a partial helix between the neck of the spike and its holding end. In order that the spike may take against the flange of a rail it is provided with a squared or round neck.

[NOTE.—The above extract from the specification is inserted in place of the claims.]

No. 30346.—12th October, 1911.—ROBERT DUPRAT TOSSWILL, of Ohutu, New Zealand, Engineer. Improved means for use in the removal of sawdust and other matter in saw-mills.

Claim.—(1.) Means for the purpose described, consisting of an open-topped chute, an endless travelling belt or band mounted to move along the bottom of the chute, and floats or scrapers secured to such belt or band at intervals in its length, substantially as specified. (Specification, 2s.)

[NOTE.—Here follows one other claim.]

No. 30347.—11th October, 1911.—CHARLES EDWARD HARDLEY, of Auckland, New Zealand, Manufacturer. An improved method of manufacturing baths.

Extract from Specification.—The bath is formed in five pieces cut out of sheet metal, which are bent and secured together as shown in Fig. 1. The end A is cut out as illustrated in Fig. 2, the edges A¹ being afterwards curved to join the ends of the bottom C and sides D; the end B being also cut out as illustrated in Fig. 3, but is adapted after the edges B¹ are curved to join the sides D and bottom C, to give less slope than the end A. The bottom C and sides D, Figs. 4 and 5, are cut practically rectangular in formation, the edges C¹ of the bottom C being afterwards curved upwards to meet the sides D and edges A¹ and B¹.

(Specification, 2s. 3d.)

[NOTE.—The above extract from the specification is inserted in place of the claims.]

No. 30367.—16th October, 1911.—GOLLATH JULIUS COCKS, care of A. Weaver, Riverslea, Hastings, Hawke's Bay, New Zealand, Engine-driver. Improvements in apparatus for straining, cutting, and removing wires of fences and the like.

Claim.—(1.) In apparatus of the kind described, a detachable stationary grip connected to an operating-lever by a hook, as set forth. (2.) In apparatus of the kind described, an operating-lever having a slot wherein grip-links are pivoted in one direction, and a hook pivoted in an opposite direction and between the said links, as set forth.

(Specification, 4s. 3d.)

[NOTE.—Here follow eight other claims.]

No. 30376.—21st October, 1910.†—MARK PURSER, jun., of 102 Tullow Street, Carlow, Ireland, Mechanical Engineer. Improvements in or relating to fencing.

Claim.—(1.) A knot for securing together the line and stay-wires of fencing, consisting of two loops, such as a¹, a², arranged one on each side of the stay-wire and having the line-wire passing therethrough, substantially as set forth.

(Specification, 2s. 3d.)

[NOTE.—Here follow three other claims.]

No. 30380.—16th October, 1911.—LACKAWANNA STEEL COMPANY, a manufacturing corporation under the laws of the State of New York, one of the United States of America, and located at 2 Rector Street, New York City, New York, United States of America (assignees of Cloud Clifford Conkling, of Ellicott Square Building, Buffalo, New York aforesaid, Engineer). Improvements in and relating to metal-sheet piling.

Claim.—(1.) A metal-sheet piling section, having a web and integral interlocking members on the edges of the web, characterized thereby that the web is curved so that the bulk thereof will be thrown substantially to one side of the axis of the piling section, resulting in the formation of the web into a more or less flattened curve, said construction producing the result that the moment of resistance of the sections, and resistance against lateral stresses of a wall composed of such sections (with their webs arranged alternately in and out), will be greatly increased without increasing substantially the thickness of the wall, substantially as set forth.

(Specification, 11s. 6d.)

[NOTE.—Here follow three other claims.]

No. 30382.—16th October, 1911.—WILLIAM RUMSEY WILLIAMS, of Waraick, Queensland, Australia, Commercial Traveller. Improvements in hooks.

Claim.—(1.) A safety-hook of the class described, having its eye part enlarged or formed with a protuberance on one side extending outwardly to or beyond the level of the point thereof, substantially as described and illustrated.

(Specification, 5s. 3d.)

[NOTE.—Here follow eight other claims.]

No. 30383.—19th October, 1911.—ROBERT FRANCIS COLBORNE, of Redmyre Road, Strathfield, near Sydney, New South Wales, Australia, Engineering Draughtsman. Improvements in combined lavatory and passenger compartment railway cars or carriages.

Claim.—(1.) A railway-car lavatory-compartment hinged door, comprising outer door-frame, pendent lever-hangers pivoted thereto, inner swing-frame connected to pendent levers, horizontal side bearings in back of swing-frame, double-cranked levers connected with the bearings and with the outer swing-frame, substantially as described.

(Specification, 9s. 9d.)

[NOTE.—Here follow eight other claims.]

No. 30384.—19th October, 1911.—ROBERT FRANCIS COLBORNE, of Redmyre Road, Strathfield, near Sydney, New South Wales, Australia, Engineering Draughtsman. Improvements in mechanism for operating wheel-brakes by hand for railway purposes.

Claim.—(1.) In a hand-operating brake-attachment of a railway car, carriage, wagon, or truck, having wheel-brakes mechanically operated through the medium of a brake-cylinder and associated levers combined with a connecting-rod, sheave, and looped chain, a set of shafting and grooved wheels arranged in pairs on each side of the railway vehicle, comprising a through shaft, spring hangers for adjustably suspending said shaft, grooved wheels secured to the shaft and rotating therewith, a short spindle secured to and supported in a rigid hanger, a grooved wheel running freely on said spindle, an actuating-shaft having a grooved free-wheel combined with a gapped collar thereon, a fixed drum and an angle hanger supporting said shaft, endless ropes connecting each pair of wheels, and wheel-shields covering each wheel, substantially as described.

(Specification, 11s.)

[NOTE.—Here follow nine other claims.]

No. 30385.—19th October, 1911.—ROBERT FRANCIS COLBORNE, of Redmyre Road, Strathfield, near Sydney, New South Wales, Australia, Engineering Draughtsman. Improvements relating to balanced windows for railway cars or carriages.

Claim.—(1.) As a corner attachment to a balanced window-sash, an angle strap having side and top plates to be secured to said sash, and, as an integral part thereof, an inner tubular part located at the junction of the side and top plates, and having the cord-hole running parallel to the side plate and continued through the top plate, substantially for the purposes set forth.

(Specification, 6s.)

[NOTE.—Here follow five other claims.]

No. 30386.—19th October, 1911.—THE CITIZENS' FREE DIRECTORY COMPANY, LIMITED, whose registered office is at 166 Manchester Street, Christchurch, New Zealand (assignees of Emanuel Frederick Lutz, of Christchurch aforesaid). An improved street index or directory.

Extract from Specification.—A case, provided with a dial displaying the letters of the alphabet, has a handle by which a pointer is brought to any desired letter on the dial. Then by reversing the handle a map of the town or city displayed in the case is removed, and is replaced by a sheet or band of rubber, paper, or the like, containing names of persons or firms of a trade or profession, commencing with the letter of the alphabet pointed out by the pointer.

(Specification, 11s. 9d.)

[NOTE.—The above extract from the specification is inserted in place of the claims.]

No. 30398.—19th October, 1911.—GEORGE SAMUEL THOMSON, of Dunedin, New Zealand, Accountant, &c. Improvements in the construction of loose-leaf books, especially for containing a variable number of leaves.

Claim.—(1.) In expanding and contracting loose-leaf books where a variable number of leaves between the covers is needed, in combination, screw expanding round-headed grooved-necked studs with backs well rounded and of very flexible construction, allowing for the expanding or contracting of the studs, according to the greater or less number of loose leaves in the said book at a given time, all substantially as shown on the drawing and as described and as explained.

(Specification, 4s.)

[NOTE.—Here follows one other claim.]

No. 30411.—25th October, 1911.—ARTHUR MOAD, jun., Engineer, of Spring Hill, and ARCHIBALD JAMES JERVIE, Engineer, of Petersham, both of New South Wales, Australia. Improvements in potato-droppers.

Claim.—(1.) Improvements in potato-droppers of the class stated, consisting of the provision of grippers pivoted on the periphery of the wheel, each having a gripping member projecting therein and externally a weighted tail-piece, substantially as described and illustrated.

(Specification, 4s. 6d.)

[NOTE.—Here follow three other claims.]

No. 30413.—26th October, 1911.—FRED LOBNITZ, of Ross Hall, Crookston, Renfrewshire, Scotland, Engineer and Ship-builder. Improvements in navigable rock-cutters.

Extract from Specification.—Under this invention the steam-vessel is made with a well at the bow and another well amidships, so that the rock-cutter or cutters can be operated either from the midship position or the bow position, a single structure being used for carrying the rock-cutter in either position. The structure consists of a tripod arrangement of sheer-legs, the central leg of the tripod being articulated at its upper end to the other two legs, which latter can be moved from the one position to the other position, preferably upon the central leg as a pivot. All three legs are secured at their lower ends to bracket-shoes suitably arranged on the deck.

(Specification, 3s. 9d.)

[NOTE.—The above extract from the specification is inserted in place of the claims.]

No. 30418.—26th October, 1911.—PAUL LOUIS CROWE, of 47 Montgomery Street, Jersey City, State of New Jersey, United States of America, Engineer. Stoker mechanism.

Claims.—(1.) In a furnace the arrangement of two endless chain-grate stoker mechanisms, as described. (2.) In a furnace endless chain-grate mechanism, the herein-described independent stokers, one of said stoker mechanisms located on an incline within a furnace at one end thereof, the other stoker mechanism located horizontally within said furnace opposite the incline stoker mechanisms.

(Specification, 14s. 9d.)

[NOTE.—Here follow seventeen other claims.]

No. 30439.—30th November, 1910†.—ROBERT TUTTLE MORRIS, a citizen of the United States, and a resident of the Borough of Manhattan, New York, United States of America, whose address is 616 Madison Avenue, New York City, United States of America, Physician. Smoker's pipe.

Claim.—(1.) A smoking-pipe, comprising the bowl and stem, and means for conducting heat from the hottest part of the pipe and distributing it throughout the rest of the pipe, thereby maintaining the vapours arising from combustion under a sufficient degree of tension to limit condensation and substantially avoiding the deposit of products of combustion.

(Specification, 5s. 6d.)

[NOTE.—Here follow four other claims.]

No. 30440.—30th October, 1911.—EMIL DEISTER, of 1415 Webster Street, Fort Wayne, State of Indiana, United States of America. Improvements in ore-concentrators.

Claim.—(1.) A reciprocating ore-concentrating table, consisting of three sections, extending in parallel relation from the feed side to the tailings-discharge side and sloping in direction towards said last-named side, the first and second of said sections, counting from the end of the table opposite the concentrate-discharge, sloping towards each other and the third section being approximately level in direction of reciprocation, substantially as described. (Specification, 8s.)

[NOTE.—Here follow four other claims.]

No. 30441.—30th October, 1911.—JAMES WILLIAM GLASS, of Henley, New Zealand, Cheese-manufacturer, &c. Improved rubber or other alphabetical or general sets of stamps, and the mounting of same.

Extract from Specification.—I place the required letters or words on the edges of a board, which may be of angular, or of semi, or of full circular profile, the working lettering being on the periphery and the guide lettering on the face, though, if required, the face or part of it may be furnished with additional lettering.

(Specification, 2s. 3d.)

[NOTE.—The above extract from the specification is inserted in place of the claims.]

No. 30442.—30th October, 1911.—STEWART ALLISON SCOTT, of Dunedin, New Zealand, Building Contractor. Improved ball-cock.

Claim.—(1.) In ball-cocks, in combination with a cistern or the like to be kept full of liquid, a ball on a soft seat capable of being lifted off by the end of a ball-lever with a tilting movement, all substantially as shown on the drawing and as described and as explained.

(Specification, 2s.)

[NOTE.—Here follows one other claim.]

No. 30446.—1st November, 1911.—JOHN ALSTON HART, of Commercial Mills, Commercial Street, Blackburn, Lancaster, England, Engineer. Improvements in and apparatus for effecting the compression of gases.

Claim.—(1.) In the compression of gases by injection in successive stages in succeeding chambers, leading the driving-gases at their highest pressure, temperature, and speed first to an injector or inducer of a chamber in which the required compression is attained, and then successively leading a portion of the gases from each chamber back to the injectors or inducers of preceding chambers, so that the driving-gases at the injectors or inducers of the series of chambers successively decrease in pressure, temperature, and speed from the chamber into which they are first admitted, whilst the pressure, temperature, and speed of the driven gases at the said injectors or inducers are increased from the first or inlet chamber to the chamber in which the required pressure is attained, substantially as explained.

(Specification, 8s.)

[NOTE.—Here follow three other claims.]

No. 30460.—3rd November, 1911.—PERCY EDGAR BICKNELL, of Auckland, New Zealand, Draper. An improved tie-exhibitor.

Extract from Specification.—The exhibitor consists of a base made of either wood or metal, a single stem being secured centrally thereto and having an upper flat rectangular portion formed with shoulder thereon, on which the tie will hang.

(Specification, 1s. 9d.)

[NOTE.—The above extract from the specification is inserted in place of the claims.]

No. 30479.—9th November, 1911.—CLAUDE HUDSON DAVIS, of Church Place, Wanganui, New Zealand, Engineer. Improvements in milk-releasers.

Extract from Specification.—A vessel or can is superposed upon another vessel or can, the upper vessel having a valve at its bottom thereof, adapted to be closed by means of a float in the lower vessel being raised by the flow of milk therein.

(Specification, 6s. 3d.)

[NOTE.—The above extract from the specification is inserted in place of the claims.]

Copies of drawings may be obtained at the uniform price of 1s. each. In exceptional cases this price may be increased at the discretion of the Office.

An asterisk (*) denotes the complete specification of an invention for which a provisional specification has been already lodged. A dagger (†) denotes a prior date upon the International and Intercolonial Arrangements.

NOTE.—The cost of copying the specification has been inserted after the notice of each application. An order for a copy or copies should be accompanied by a post-office order or postal note for the cost of copying.

The date of acceptance of each application is given after the number.

Extracts from the drawings accompanying the foregoing complete specifications appear at the end of the *Gazette*.

J. C. LEWIS,
Registrar.

Provisional Specifications accepted.

Patent Office,
Wellington, 7th December, 1911.

APPLICATIONS for Letters Patent, with provisional specifications, have been accepted as under:—

No. 30092.—W. H. E. Wanklyn, memo. form and envelope.

No. 30231.—J. Aickin, ore-smelter.

No. 30295.—T. H. Bewley and W. A. Fraser, fire-kindler. (J. Tregilgas.)

No. 30310.—P. Hopkinson, paint.

No. 30326.—W. J. Black and C. M. Cruickshank, roofing-tile.

No. 30352.—C. Hotz and W. Bennet, toilet-paper holder, &c.

No. 30397.—B. de B. Gates, "Pelton-wheel" bucket.

No. 30408.—C. Holley, animal leg-grip.

No. 30419.—R. J. Brown, gas-generator.

No. 30421.—F. Potter, milk-pail gauge.

No. 30433.—C. C. Johnson, casement-stay.

No. 30434.—W. H. Fitchett, flower-carrier.

No. 30437.—W. G. Joy, floor-polisher.

No. 30438.—S. M. Collett, wool-pack cap.

No. 30443.—J. W. Glass, cheese-cloth.

No. 30444.—W. E. Holden, advertising apparatus.

No. 30445.—R. P. Stewart, engine-driving means.

No. 30447.—D. Jones, steam-generator.

No. 30455.—F. McPherson, fencing-batten.

No. 30467.—C. F. Davy and T. Richardson, non-refillable bottle.

- No. 30468.—J. Ormiston, steam-boiler.
 No. 30502.—A. Hind, machine sheep-shear hand-piece.
 No. 30508.—W. Henderson and F. L. Bell, mine-dust allayer.
 No. 30513.—A. J. Griffiths and A. R. E. Aldred, water-heater.

[NOTE.—Provisional specifications cannot be inspected, or their contents made known by this office in any way, until the complete specifications in connection therewith have been accepted.]

Letters Patent sealed.

LIST of Letters Patent sealed from the 12th November to the 1st December, 1911, inclusive:—

- No. 28096.—A. C. Nicholson, condiment-container.
 No. 28128.—Nobel's Explosives Company, Limited, and W. T. Evans, fuze-igniter.
 No. 28210.—A. M. Butterworth, concrete-core mould.
 No. 28211.—W. Andrews, A. W. Beaven, and A. L. Bird, seed-cleaner cylinder.
 No. 28239.—J. Brown, tire.
 No. 28246.—R. and J. H. Millis, lift.
 No. 28248.—H. Metcalfe, scaffold-bracket.
 No. 28250.—W. A. Stephenson, lead-head-nail machine.
 No. 28300.—Duplex Seed-drill Company Proprietary, Limited, grain, &c., sower. (P. M. Metzler.)
 No. 28302.—J. D. Matheson, bridle.
 No. 28322.—A. E. and H. G. Bradley, displaying stained-glass window-designs.
 No. 28341.—T. Bastin and J. McCarty, rut-filler, &c.
 No. 28362.—C. A. Oldman, drilling-machine lubricator.
 No. 28368.—C. A. Oldman, oil-can.
 No. 28402.—H. W. Langman, wire-strainer.
 No. 28425.—H. L. Day, article-displaying device.
 No. 28454.—J. A. Haswell, A. G. Hoar, and J. Cairncross, roofing.
 No. 28554.—Ridd Milking-machine Company, Limited, teat-cup. (A. Ridd.)
 No. 28936.—C. L. Nesbitt, piano, &c., keyboard note-guide.
 No. 28991.—J. W. Chenhall, crucible furnace.
 No. 29236.—E. A. Ashcroft, metallic sodium, &c., manufacture.
 No. 29364.—S. A. Vasey, soluble-protein production.
 No. 29408.—Henning Process Sugar-extraction Company, sugar-manufacture. (W. Henning.)
 No. 29445.—Birmingham Metal and Munitions Company, Limited, and J. H. Barker, explosive-manufacture.
 No. 29491.—J. D. Scott, treating hydrocarbonaceous substances.
 No. 29497.—Benecia Ironworks, plough-tongue. (E. C. Bank.)
 No. 29524.—Gesellschaft für Drahtlose Telegraphie m.b.H., producing electrical oscillations. (G. von Arco.)
 No. 29525.—Gesellschaft für Drahtlose Telegraphie m.b.H., producing electrical oscillations. (L. Mandelstam and N. Papalexi.)
 No. 29750.—R. S. Buckman, internal-combustion-engine valve.
 No. 29754.—G. C. Thomas, cinematographic photographs, taking, &c.
 No. 29763.—United Shoe Machinery Company, sewing-machine. (T. G. Plant.)
 No. 29767.—R. Collier, cough, &c., medicine.
 No. 29771.—J. C. Russell, rail-bar, &c., treating.
 No. 29772.—Blaugas Patent Gesellschaft m.b.H., gas-manufacture. (H. Blau.)
 No. 29773.—Blaugas Patent Gesellschaft m.b.H., oil, &c., distilling. (H. Blau.)
 No. 29774.—W. G. Gibbins, washing, &c., machine.
 No. 29775.—Shredded Wheat Company, biscuit. (E. L. Wallace.)
 No. 29784.—E. J. Bickford, steel seating.
 No. 29790.—W. J. Nicol, table-utensil washing.
 No. 29792.—T. Edwards, hearth for cooling ores, &c.
 No. 29793.—T. Edwards, calcining, &c., furnace.
 No. 29794.—T. Edwards, furnace rabble.
 No. 29810.—R. M. Hahn, corset, &c., fastening.
 No. 29868.—Trumble Refining Company, liquid-evaporation. (M. J. Trumble.)
 No. 29869.—Current Motor Company, Tacoma, U.S.A., current-motor. (C. A. Barron.)
 No. 29882.—T. B. Powers and Eureka Clock Company, Limited, clock.

Letters Patent on which Fees have been paid.

[NOTE.—The dates are those of the payments.]

SECOND-TERM FEES.

- No. 23788.—C. E. Bullock, automatic one-way gate. 4th December, 1911.
 No. 23905.—M. U. Schoop, aluminium, &c., autogenous soldering. 5th December, 1911.
 No. 25273.—K. I. Lindstrom, milking-machine. 1st December, 1911.

- No. 25368.—Monotype Machine (Colonial Patents) Syndicate, Limited, multiplex composing mechanism. (W. Bancroft.) 2nd December, 1911.

THIRD-TERM FEES.

- No. 18821.—H. H. Nicholson, bird-trapping. 28th November, 1911.
 No. 18825.—T. Danks, windmill. 27th November, 1911.
 No. 18915.—Ammonal Explosives (1908), Limited, nitrate of ammonia explosives manufacture. (Ammonal Explosives, Limited—H. R. von Dahmen.) 24th November, 1911.
 No. 18917.—C. Suttle and M. H. Wynyard, stripped-flax treating apparatus. 24th November, 1911.
 No. 18932.—L. Rismuller, extracting fats, &c., from meat. 6th December, 1911.

Subsequent Proprietors of Letters Patent registered.

[NOTE.—The name of the former proprietor is given in brackets; the date is that of registration.]

- NO. 25793 and 27479.—Köszegi Károly-féte szab. motoros talajművelőgép géngyár r.t., of Baja, Hungary. Cultivating machine. (K. Köszegi and E. Szechenyi.) 27th November, 1911.
 No. 27825.—Mjolkkningsmaskin Aktiebolaget, of Hornsberg, Stockholm, Sweden, Manufacturers. Milking-machine. (G. W. K. Morley.) 6th December, 1911.

Requests to amend Applications for Letters Patent allowed.

THE requests to amend the following applications for Letters Patent have been allowed:—

- No. 28053.—Miller. Steam-engine. (Advertised in Supplement to *New Zealand Gazette*, No. 75, of the 21st September, 1911.)
 No. 29507.—Johnstone and Hosking. Milk heater and cooler. (Advertised in Supplement to *New Zealand Gazette*, No. 79, of the 5th October, 1911.)

Request for Correction of Clerical Error in Application for Letters Patent.

NO. 29854.—Lamson Store Service Company, Limited, cash carrier. (Advertised in Supplement to *New Zealand Gazette*, No. 75, of the 21st September, 1911.)

To insert the words "and document" between the words "cash" and "carrier" in the title in the complete specification, and to adopt this title—*i.e.*, "Improved combined pneumatic cash and document carrier and dust-extractor, and parts thereof"—throughout the documents.

Application for Letters Patent opposed.

NOTICE of opposition has been filed in the following case:—

- No. 28826.—E. M. Thompson, opposed by F. Brown.

Applications for Letters Patent abandoned.

LIST of applications, with which provisional specifications only have been filed, abandoned (*i.e.*, complete specifications not lodged) from the 24th November, to the 7th December, 1911, inclusive:—

- No. 29037.—J. J. Keppel and S. A. Lyttle, flax-blade sorter.
 No. 29038.—N. C. Macpherson, biplane.
 No. 29039.—W. A. Rawson, dress-guard for bicycle.
 No. 29045.—J. Peters and T. Lindon, harness.
 No. 29046.—D. W. Custer, carbon-dissolver (A. Rea).
 No. 29050.—M. Elliott, acetylene-generator.
 No. 29053.—C. E. Thompson, jun., and W. F. Dane, fruit-case, &c.
 No. 29054.—H. G. and G. V. Jones, beer-cask attachment.
 No. 29058.—J. Warburton, human-flight equipment.
 No. 29060.—J. Brinati, wheel.
 No. 29063.—S. Lawrence, propeller.
 No. 29065.—G. W. Wyman, piano footstool.
 No. 29067.—W. H. Shier, holding pens in pocket.
 No. 29068.—F. E. Cooney, widow-catch.
 No. 29084.—E. P. Hill, pipe, &c., coupling.
 No. 29088.—J. F. A. McSwiney and A. Kilchmann, cash-carrier.
 No. 29089.—A. T. King, railway-car coupling.
 No. 29098.—J. and W. Fotheringham and C. H. Pearl, fruit-picking bag.
 No. 29205.—A. L. J. Tait, rotary engine.

Application for Letters Patent void.

APPLICATION for Letters Patent, with which complete specifications have been lodged, void owing to non-acceptance of such complete specifications, from the 24th November to the 7th December 1911, inclusive:—

- No. 28342.—W. P. Benton and W. Cookson, rabbit-trap.

Applications for Letters Patent lapsed.

APPLICATIONS for Letters Patent lapsed, owing to Letters Patent not being sealed, from the 24th November to the 7th December, 1911, inclusive:—

- No. 27786.—J. J. Wellwood, trace-chain spreader.
- No. 27792.—C. W. Mills, cattle medicine.
- No. 27793.—R. Taberner, strainer and petrol-gauge.
- No. 27798.—F. J. S. Caverhill, sheep-shearing-machine driving gear.
- No. 27799.—S. Maioha, jun., sunken-rock indicator.
- No. 27809.—G. Forsyth, soap.
- No. 27811.—E. Hale, castrating, &c., implement.
- No. 27833.—A. Gray, letter-sheet, &c.
- No. 27845.—C. Moon, furniture scroll.

Letters Patent void.

LIST of Letters Patent void through non-payment of renewal fees, and through expiry of term of fourteen years, from the 24th November, to the 7th December, 1911, inclusive:—

THROUGH NON-PAYMENT OF SECOND-TERM FEES.

- No. 22005.—J. Stevenson, plough.
- No. 23368.—N. Olsen, fireplace-draught regulator.
- No. 23372.—H. Trinder and F. Engeler, ore-concentrator.
- No. 23373.—H. H. Christian, W. G. Prime, R. Fisher, and F. P. Prime, car-coupling.
- No. 23374.—J. Fraser, C. Jumeaux, and S. E. Fraser, deviation-recorder.
- No. 23375.—T. Johnson and T. W. Johnson, cement, &c., pressing-machine. (T. and T. W. Johnson and R. F. Tunley.)
- No. 23376.—United Shoe Machinery Company, buffing, &c., machine. (Manufacturers' Machine Company—J. Gelzenlichter.)
- No. 23377.—National Cash Register Company, manifold sales-book. (W. F. Bockhoff.)
- No. 23380.—W. Ferguson, butter-fat weight-calculator. (R. S. Sanderson.)
- No. 23381.—J. G. Coombs, phonograph, &c., diaphragm.
- No. 23389.—W. F. Crawford, sheep-shearing machine.
- No. 23392.—J. J. Blockley, closet-cistern valve, &c.
- No. 23394.—G. Lizzani, convertible billiard-table.
- No. 23397.—D. Amos and A. M. Carroll, overhead wire-hanger.
- No. 23403.—J. R. Masson, antimony-recovery from ore.
- No. 23411.—B. H. Thwaite and W. Defries, metal-manufacture.
- No. 23412.—C. H. E. Hope-Johnstone, milk-preparation. (Nutricia Centrale für Backhausmilch Gesellschaft m.b.H.—G. Litsche.)
- No. 23413.—F. A. Alcock, billiard-table cushion-rail.
- No. 23415.—H. J. West and Co., Limited, and Saxilby Ironworks, bottling-machine. (R. W. Webster and L. Chew.)
- No. 23417.—W. J. Green, branding-machine.
- No. 23418.—R. P. Myers, arc lamp.
- No. 23421.—W. J. O'Connor, hammer, &c.
- No. 23425.—J. Delbridge, air-compressor.
- No. 23435.—T. R. Christie, hot-water cylinder.
- No. 24016.—W. Tyree, pests-destruction.

THROUGH NON-PAYMENT OF THIRD-TERM FEES.

- No. 18363.—United Shoe Machinery Company, welt-attacher. (G. Goddu.)
- No. 18384.—W. H. Connelly, securing rowels to spurs.
- No. 18385.—W. H. Connelly, spur.
- No. 18390.—Svenska Centrifug Aktiebolaget, churn. (S. A. Ekehorn.)
- No. 18416.—T. Cook, crozing, &c., machine.
- No. 18421.—J. A. Ferguson, building block. (F. E. Kidder.)
- No. 18427.—J. Gray, fertilizer-conductor.

THROUGH EXPIRY OF TERM.

- No. 10157.—Thunderbolt Patent Governor Company, Limited, speed-controller. (E. Thunderbolt.)
- No. 10170.—W. Nelson, refrigerator.
- No. 10171.—C. G. Hepburn, fat, &c., treatment.
- No. 10177.—British and Colonial Colliery Supply Association, Limited, explosive. (M. Bielefeldt.)

Design expired.

THE copyright in the following design has expired:—

- No. 312.—N. Ranger. Class 1.

Applications for Trade Marks filed.

LIST of applications for registration of Trade Marks filed from the 24th November to the 7th December, 1911, inclusive:—

- No. 10074.—25th November.—Neill and Co., Limited, N.Z. Class 45.

- No. 10075.—27th November.—Oxyphathor Company, Buffalo, U.S.A. Class 11.
- No. 10076.—27th November.—J. B. MacEwan and Co., Limited, Wellington, N.Z. Class 42.
- No. 10077.—27th November.—Thomson, Lewis, and Co., Wellington, N.Z. Class 44.
- No. 10078.—28th November.—V. C. Johnson, Lower Hutt, N.Z. Class 3.
- No. 10079.—29th November.—J. Heathcoat and Co., London and Tiverton, Eng. Class 31.
- No. 10080.—1st December.—S. Harris, Napier, N.Z. Class 38.
- No. 10081.—1st December.—C. Aickin and Son, Auckland, N.Z. Class 42.
- No. 10082.—5th December.—Macandrews and Forbes, Limited, London, Eng. Class 42.
- No. 10083.—5th December.—Adesa and Co. (L. Devos, A. Adelberg, and N. Salmon), London, Eng. Class 47.
- No. 10084.—5th December.—Reeves and Sons, Limited, Dalston Junction, Eng. Class 1.
- No. 10085.—5th December.—C. Leethem and Co., Portsmouth, Eng. Class 38.
- No. 10086.—5th December.—Stapley and Smith, Limited, London, Eng. Class 38.
- No. 10087.—5th December.—A. Cowan and Sons, Limited, Edinburgh, Scot., Melbourne, Vic., and elsewhere. Class 39.
- Nos. 10088, 10089, 10090, and 10091.—5th December.—Pearson and Knowles, Coal and Iron Company, Limited, Warrington, Eng. Class 5.
- Nos. 10092, 10093, 10094, 10095, 10096, and 10097.—5th December.—T. R. Ellin, Sheffield, Eng. Classes 7, 37, 50, 7, 37, 50.
- No. 10098.—5th December.—W. R. Hopercroft, Cronadun, N.Z. Class 42.
- No. 10099.—6th December.—E. Buxton and Co., Limited, Nelson, N.Z. Class 42.
- No. 10100.—6th December.—D. Sullivan, Helensville, N.Z. Class 3.

Applications for Registration of Trade Marks.

Patent Office,
Wellington, 13th December, 1911.

APPLICATIONS for registration of the following Trade Marks have been received. Notice of opposition to the registration of any of these applications may be lodged at this office within two months of the date of this *Gazette*. Such notice must be in duplicate, and accompanied by a fee of £1.

No. of application: 9411.
Date: 11th December, 1911.

TRADE MARK.



The essential particular of this trade mark is the representation of a lion.

NAME.

THE BURMAH OIL COMPANY, LIMITED, having its registered office at 175 West George Street, Glasgow, Scotland.

No. of class : 47.

Description of goods : Candles.

No. of application : 9413.

Date : 11th December, 1911.

TRADE MARK.



The essential particular of this trade mark is the distinctive label.

NAME.

THE BURMAH OIL COMPANY, LIMITED, having its registered office at 175 West George Street, Glasgow, Scotland.

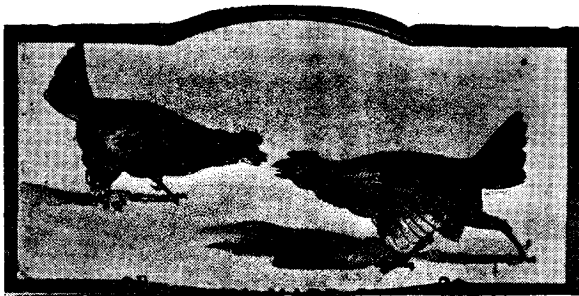
No. of class : 47.

Description of goods : Candles.

No. of application : 9415.

Date : 11th December, 1911.

TRADE MARK.



The essential particular of this trade mark is the representation of fighting cocks.

NAME.

THE BURMAH OIL COMPANY, LIMITED, having its registered office at 175 West George Street, Glasgow, Scotland.

No. of class : 47.

Description of goods : Candles.

No. of application : 9416.

Date : 11th December, 1911.

TRADE MARK.



The essential particular of this trade mark is the distinctive label.

NAME.

THE BURMAH OIL COMPANY, LIMITED, having its registered office at 175 West George Street, Glasgow, Scotland.

No. of class : 47.

Description of goods : Candles.

No. of application : 9417.

Date : 11th December, 1910.

TRADE MARK.



The essential particular of this trade mark is the distinctive label.

NAME.

THE BURMAH OIL COMPANY, LIMITED, having its registered office at 175 West George Street, Glasgow, Scotland.

No. of class : 47.

Description of goods : Candles.

No. of application : 9585.

Date : 22nd December, 1910.

TRADE MARK.



NAME.

MANN, BYARS, AND Co., of 21 Glassford Street, Glasgow, Scotland, Merchants.

No. of class : 38.

Description of goods : Articles of clothing.

[NOTE.—This application is made in accordance with the International and Intercolonial Arrangements, the date given being that of the application in the United Kingdom. The actual date of the application in New Zealand is 26th April, 1911.]

No. of application : 9625.

Date : 10th May, 1911.

TRADE MARK.



The essential particular of this trade mark is the device; and any right to the exclusive use of the added matter is disclaimed.

NAME.

JOSEPH DAWSON WORMALD, HARRY PERCY WORMALD, and WILLIAM ERNEST LIVINGSTONE WEARS, trading together as "The Australian Embosteel Ceiling Company," of Castle-reagh Chambers, Castlereagh Street, Sydney, New South Wales, in the Commonwealth of Australia, Manufacturers.

No. of class : 18.

Description of goods : Metal ceilings.

[NOTE.—This trade mark is regazetted on account of the number of the class having been inserted inadvertently in the previous notice as 13.]

No. of application : 9850.
Date : 19th August, 1911.

TRADE MARK.

Messana

NAME.

JAMES CHARLES DATSON and WILLIAM MESSANA, both of Hamilton, in the Dominion of New Zealand, Land Agents, trading together under the style or firm of "Messana and Co."

No. of class : 48.
Description of goods : A dentifrice (liquid) for the purpose of removing discolorations from teeth.

No. of application : 9922.
Date : 18th September, 1911.

TRADE MARK.

The word

MAGIC.

The essential particular of this trade mark is the word "Magic."

NAME.

WALLACE SEMPLE, of 38 Oriental Terrace, Wellington, in the Dominion of New Zealand.

No. of class : 2.
Description of goods : Chemical substances used for agricultural, horticultural, veterinary, and sanitary purposes, excepting artificial manures manufactured in New Zealand.

No. of application : 9949.
Date : 2nd October, 1911.

TRADE MARK

A. S. Seddon's
PREMIER
BRONCHITIS CURE

ABSOLUTELY GUARANTEED TO CURE
SUFFERERS FROM

Asthma, Coughs, Colds,
and all Chronic
Complaints.

DOSE—Adults, one tablespoonful in water
three or four times a day. For Children,
lesser quantities according to age.

PRICE - - - 2s. 6d.

The essential particular of this trade mark is the name or signature printed in a particular and distinctive manner; and any right to the exclusive use of the added matter is disclaimed.

NAME.

ALICE GERTRUDE SEDDON, of Denniston, Nelson, in the Dominion of New Zealand.

No. of class : 3.
Description of goods : Bronchitis cure.

C

No. of application : 9984.
Date : 17th October, 1911.

TRADE MARK.



The essential particular of this trade mark is the word Eureka; and any right to the exclusive use of the added matter is disclaimed.

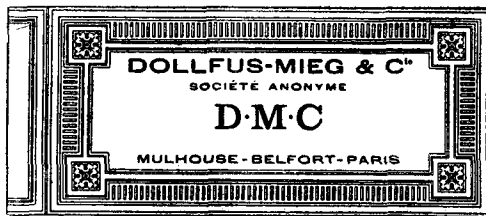
NAME.

GEORGE ABBOTT, of Hastings, Hawke's Bay, in the Dominion of New Zealand, Nurseryman and Fruitgrowing Specialist.

No. of class : 4.
Description of goods : Liquid grafting-wax.

No. of application : 10005.
Date : 18th October, 1911.

TRADE MARK.



NAME.

DOLLFUS-MIEG & CIE., SOCIÉTÉ ANONYME, whose office is at Mulhouse, in Alsace, Germany, Spinners.

No. of class : 23.
Description of goods : Sewing-cotton.

[NOTE.—This trade mark is regazetted on account of the number of the class having been inserted inadvertently in the previous notice as 43.]

No. of application : 10026.
Date : 24th October, 1911.

TRADE MARK.

"KOK"

NAME.

COMPAGNIE GÉNÉRALE DE PHONOGRAPHES CINÉMATOGRAPHES ET APPAREILS DE PRÉCISION, of 98 rue de Richelieu, Paris, France.

No. of class : 8.
Description of goods : Instruments and apparatus appertaining to cinematograph purposes, including machines, films, accessories, and all goods included in this class relating to cinematographs.

No. of application : 10057.
Date : 14th November, 1911.

TRADE MARK.

THE HOLLY



The essential particulars of the trade mark are a sprig of holly with berries with the word "Holly."

NAME.

THE HOLLINS MILL COMPANY, LIMITED, of 5 Portland Street, Manchester, England, Cotton-manufacturers.

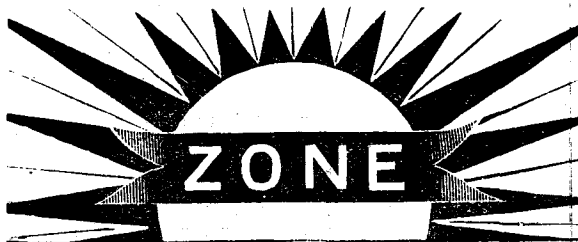
No. of class: 24.

Description of goods: Cotton piece-goods of all kinds.

No. of application: 10062.

Date: 21st November, 1911.

TRADE MARK.



The essential particulars of this trade mark are the device and the word "Zone."

NAME.

JOSEPH WILSON AND Co., of 191 Manchester Street, Christchurch, in the Dominion of New Zealand, Importers.

No. of class: 39.

Description of goods: Carbon-paper.

No. of application: 10068.

Date: 22nd November, 1911.

TRADE MARK.

PINKLETS

The essential particular of the trade mark is the following—the word "Pinklets."

NAME.

THE DR. WILLIAMS MEDICINE COMPANY OF AUSTRALASIA, LIMITED, of Canada Buildings, Dalley Street, Sydney, New South Wales, Australia, Manufacturers.

No. of class: 3.

Description of goods: Medicinal Preparations.

No. of application: 10069.

Date: 22nd November, 1911.

TRADE MARK.

PINKETTES

The essential particular of the trade mark is the following—the word "Pinkettes."

NAME.

THE DR. WILLIAMS MEDICINE COMPANY OF AUSTRALASIA, LIMITED, of Canada Buildings, Dalley Street, Sydney, New South Wales, Australia, Manufacturers.

No. of class: 3.

Description of goods: Medicinal preparations.

No. of application: 10072.

Date: 23rd November, 1911.

TRADE MARK.



The essential particulars of this trade mark are the following—the combination of devices and the motto "Fidelis et constans."

NAME.

WORMALDS AND WALKER, LIMITED, of Dewsbury Mills, Thornhill Road, Dewsbury, Yorkshire, England, Manufacturers.

No. of class: 35.

Description of goods: Blankets included in Class 35.

No. of application: 10073.

Date: 23rd November, 1911.

TRADE MARK.



NAME.

WITTING BROS., LIMITED, of 49 Cannon Street, in the City of London, England, Merchants.

No. of class: 15.

Description of goods: Glass.

No. of application: 10076.

Date: 27th November, 1911.

TRADE MARK.

The word

DAISY.

The essential particular of this trade mark is the word "Daisy."

NAME.

J. B. MACEWAN AND Co., LIMITED, of 139-141 Featherston Street, Wellington, in the Dominion of New Zealand.

No. of class: 42.

Description of goods: Butter, cheese, lard, bacon, eggs, and preserved meats and fish.

No. of application: 10078.

Date: 28th November, 1911.

TRADE MARK.

The word

PO-HO.

NAME.

VICTOR CHARLES JOHNSON, of Lower Hutt, Wellington, in the Dominion of New Zealand, Importer.

No. of class: 3.

Description of goods: Cure for burns, scalds, &c.

No. of application: 10079.

Date: 29th November, 1911.

TRADE MARK.

TULLINA

The essential particular of this trade mark is the word "Tullina."

NAME.

The persons trading as "JOHN HEATHCOAT AND Co.," of 13 Ironmonger Lane, London, England, and West Exe North, Tiverton, Devon, England, Manufacturers.

No. of class: 31.

Description of goods: Silk piece-goods.

No. of application: 10081.

Date: 1st December, 1911.

The words

WOWSER TEA.

The essential particular of this trade mark is the word "Wowser"; and any right to the exclusive use of the word "Tea" is disclaimed.

NAME.

C. AICKIN AND SON, of Custom Street East, Auckland, in the Dominion of New Zealand.

No. of class: 42.

Description of goods: Tea.

No. of application : 10082.
Date : 5th December, 1911.

TRADE MARK.

The word

APOLLO.

The essential particular of this trade mark is the word "Apollo."

NAME.

MACANDREWS AND FORBES, LIMITED, of Finsbury Court, London E.C., England, Liquorice-merchants.

No. of class : 42.
Description of goods : Stick liquorice.

No. of application : 10084.
Date : 5th December, 1911.

TRADE MARK.



The essential particular of this trade mark is the figure of a spotted greyhound dog seated upon an heraldic wreath. The applicants claim that the said trade mark has been in use by them and their predecessors in business in respect of the articles mentioned for upwards of sixty years.

NAME.

REEVES AND SONS, LIMITED, of 18 Ashwin Street, Dalston Junction, London, England, Manufacturers of Artists' Materials.

No. of class : 1.
Description of goods : Colours, mediums, size, and varnish, all for artists' use.

No. of application : 10085.
Date : 5th December, 1911.

TRADE MARK.

The word

SOLEX.

The essential particular of this trade mark is the word "Solex."

NAME.

CHARLES LEETHEM AND Co., of Arundel Factory, Landport Street, Portsmouth, England, Manufacturers.

No. of class : 38.
Description of goods : Corsets.

No. of application : 10086.
Date : 5th December, 1911.

TRADE MARK.

The word

LARONA.

NAME.

STAPLEY AND SMITH, LIMITED, of 128 London Wall, London E.C., England, Manufacturers of Ladies' and Children's Clothing and Undergarments.

No. of class : 38.
Description of goods : Articles of clothing.

No. of application : 10092.
Date : 5th December, 1911.

TRADE MARK.



NAME.

THOMAS RICHARDSON ELLIN, of Footprint Works, 31 to 47 Hollis Croft, Sheffield, England, Manufacturer and Merchant.

No. of class : 7.
Description of goods : Agricultural and horticultural machinery, and parts of such machinery.

No. of application : 10093.
Date : 5th December, 1911.

TRADE MARK.



NAME.

THOMAS RICHARDSON ELLIN, of Footprint Works, 31 to 47 Hollis Croft, Sheffield, England, Manufacturer and Merchant.

No. of class : 37.
Description of goods : Leather, skins unwrought and wrought, and articles made of leather not included in other classes.

No. of application : 10094.
Date : 5th December, 1911.

TRADE MARK.



NAME.

THOMAS RICHARDSON ELLIN, of Footprint Works, 31 to 47 Hollis Croft, Sheffield, England, Manufacturer and Merchant.

No. of class : 50.
Description of goods : All goods included in this class.
[NOTE.—Class 50 is for "Miscellaneous, including—(1) goods manufactured from ivory, bone, or wood, not included in other classes; (2) goods manufactured from straw or grass, not included in other classes; (3) goods manufactured from animal and vegetable substances, not included in other classes; (4) tobacco-pipes; (5) umbrellas, walking-sticks, brushes, and combs; (6) furniture-cream, plate-powder; (7) tarpaulins, tents, rick-cloths, rope, twine; (8) buttons of all kinds, other than of precious metal or imitations thereof; (9) packing and hose of all kinds; (10) goods not included in the foregoing classes, such as coopers' wares."]

No. of application : 10095.
Date : 5th December, 1911.

TRADE MARK.



FOOT PRINT

NAME.

THOMAS RICHARDSON ELLIN, of Footprint Works, 31 to 47 Hollis Croft, Sheffield, England, Manufacturer and Merchant.

No. of class : 7.
Description of goods : Agricultural and horticultural machinery and parts of such machinery.

No. of application : 10096.
Date : 5th December, 1911.

TRADE MARK.



FOOT PRINT

NAME.

THOMAS RICHARDSON ELLIN, of Footprint Works, 31 to 47 Hollis Croft, Sheffield, England, Manufacturer and Merchant.

No. of class : 37.
Description of goods : Leather, skins unwrought and wrought, and articles made of leather not included in other classes.

No. of application : 10097.
Date : 5th December, 1911.

TRADE MARK.



FOOT PRINT

NAME.

THOMAS RICHARDSON ELLIN, of Footprint Works, 31 to 47 Hollis Croft, Sheffield, England, Manufacturer and Merchant.

No. of class: 50.

Description of goods: All goods included in this class.

[NOTE.—Class 50 is for "Miscellaneous, including—(1) goods manufactured from ivory, bone, or wood, not included in other classes; (2) goods manufactured from straw or grass, not included in other classes; (3) goods manufactured from animal and vegetable substances, not included in other classes; (4) tobacco-pipes; (5) umbrellas, walking-sticks, brushes and combs; (6) furniture-cream, plate-powder; (7) tarpaulins, tents, rick-cloths, rope, twine; (8) buttons of all kinds, other than of precious metal or imitations thereof; (9) packing and hose of all kinds; (10) goods not included in the foregoing classes, such as coopers' wares."]]

No. of application: 10098.

Date: 5th December, 1911.

TRADE MARK.



The essential particular of this trade mark is—the distinctive label, including figure of a pigeon and the word "Pigeon"; and any right to the exclusive use of the added matter is disclaimed.

NAME.

WILLIAM R. HOPCROFT, of Cronadun, Nelson, Dairy-factory Proprietor.

No. of class: 42.

Description of goods: Dairy-produce.

J. C. LEWIS,
Registrar.

Trade Marks registered.

LIST of Trade Marks registered from the 24th November to the 7th December, 1911, inclusive:—

- No. 7836/9808.—The Australian Manufacturing and Importing Company, Limited. Class 18. (*Gazette* No. 72, of the 7th September, 1911.)
 No. 7837/9845.—W. G. Duffield. Class 35. (*Gazette* No. 72, of the 7th September, 1911.)
 No. 7838/9778.—G. Neich. Class 2. (*Gazette* No. 72, of the 7th September, 1911.)
 No. 7839/9630.—W. Parton and Son. Class 18. (*Gazette* No. 46, of the 1st June, 1911.)
 No. 7840/9711.—Edgar and Co., Limited. Class 39. (*Gazette* No. 53, of the 29th June, 1911.)
 No. 7841/9873.—Mackerras and Hazlett, Limited. Class 42. (*Gazette* No. 72, of the 7th September, 1911.)
 No. 7842/9710.—A. N. Rickman. Class 48. (*Gazette* No. 58, of the 13th July, 1911.)
 No. 7843/9731.—The Birmingham Small Arms Company, Limited. Class 19. (*Gazette* No. 58, of the 13th July, 1911.)
 No. 7844/9820.—Alder and Mackay. Class 8. (*Gazette* No. 72, of the 7th September, 1911.)
 No. 7845/9822.—Neal and Close, Limited. Class 42. (*Gazette* No. 72, of the 7th September, 1911.)
 No. 7846/9152.—J. S. Kirkpatrick and W. H. Barclay. Class 27. (*Gazette* No. 104, of the 1st December, 1910.)
 No. 7847/9153.—J. S. Kirkpatrick and W. H. Barclay. Class 38. (*Gazette* No. 108, of the 15th December, 1910.)
 Nos. 7848/9864 and 7849/9865.—Sargood, Son, and Ewen, Limited. Class 38. (*Gazette* No. 72, of the 7th September, 1911.)
 No. 7850/9150.—A. M. Williams, C. R. Skinner, and L. E. Bishop. Class 3. (*Gazette* No. 104, of the 1st December, 1910.)
 Nos. 7851/9612 and 7852/9613.—Gross, Sherwood, and Heald, Limited. Class 1. (*Gazette* No. 42, of the 18th May, 1911.)
 No. 7853/9775.—Papier, Poudré, Limited. Class 48. (*Gazette* No. 62, of the 27th July, 1911.)
 No. 7854/9353.—F. Reddaway and Co., Limited. Class 25. (*Gazette* No. 75, of the 21st September, 1911.)

No. 7855/9467.—Wallace, Scott, and Co., Limited. Class 34. (*Gazette* No. 75, of the 21st September, 1911.)

No. 7856/9910.—Mono Service Vessels, Limited. Class 39. (*Gazette* No. 75, of the 21st September, 1911.)

No. 7857/9911.—Dick, Kerr, and Co., Limited. Class 13. (*Gazette* No. 75, of the 21st September, 1911.)

Trade Mark Renewal Fees paid.

FEES paid for the renewal of the undermentioned Trade Marks for fourteen years from the date first mentioned:—

Nos. 2243/1783 and 2244/1784.—4th January, 1912.—G. U. Gilmore, Auckland, N.Z. (Gilmore, Younghusband, and Co.). 29th November, 1911.

No. 2294/1823.—10th March, 1912.—Apenta Actien Gesellschaft, Buda Pest, Hungary. 29th November, 1911.

No. 2324/1930.—26th March, 1912.—L. Thompson, Sydney, N.S.W. (J. Morgan and C. F. Doutreband). 29th November, 1911.

Trade Marks removed from the Register.

TRADE Marks removed from the Register owing to the non-payment of the renewal fee, from the 24th November to the 7th December 1911, inclusive:—

No. 2096/1909.—24th August, 1897.—J. Connor, Dunedin, N.Z. Class 42.

No. 2097/1753.—24th August, 1897.—J. Edmond, Dunedin, N.Z. Class 47.

Nos. 2101/1810, 2102/1726, and 2103/1693.—28th August, 1897.—C. R. Valentine, London, Eng. Class 42.

No. 2104/1723.—30th August, 1897.—W. Barnett, LeBon's Bay, N.Z. Class 42.

No. 2105/1754.—1st September, 1897.—W. M. Stevenson, Sydney, N.S.W. Class 3.

No. 2107/1887.—2nd September, 1897.—W. and R. Noton, Auckland, N.Z. Class 42.

No. 2108/1694.—2nd September, 1897.—Terezol Company, Limited, Manchester, Eng. Class 50.

Application for Trade Mark withdrawn.

THE following application for Trade Mark has been withdrawn:—

No. 9943.—Brace, Windle, Blyth, and Co., Limited. (Advertised in Supplement to *New Zealand Gazette*, No. 88, of the 2nd November, 1911.)

Application for Trade Mark opposed.

NOTICE of opposition has been filed in the following case:—

No. 9919.—The Kaiapoi Woollen Manufacturing Company, Limited, opposed by J. Smedley, Limited.

Applications for Trade Marks abandoned or refused.

LIST of applications for registration of Trade Marks abandoned or refused from the 7th September, 1911, to the 20th September, 1911, inclusive, and from the 27th October, 1911, to the 28th November, 1911, inclusive:—

No. 8848.—2nd July, 1910.—Nuttall and Fletcher (Impervos Manufacturing Company), of Wellington, N.Z. Class 1.

No. 8849.—4th July, 1910.—R. Garroway, of Wellington, N.Z. Class 42.

No. 8850.—5th July, 1910.—Langguth and Co., of Auckland, N.Z. Class 42.

No. 8957.—22nd August, 1910.—G. Forsyth, of Christchurch, N.Z. Class 47.

No. 8974.—31st August, 1910.—D. H. Gilmour, of Dunedin, N.Z. Class 42.

No. 9032.—15th September, 1910.—A. C. Hughes and Co., of Wellington, N.Z. Class 50.

No. 9033.—15th September, 1910.—A. C. Hughes and Co., of Wellington, N.Z. Class 50.

No. 9036.—17th September, 1910.—A. C. Hughes and Co., of Wellington, N.Z. Class 50.

No. 9039.—19th September, 1910.—Harris and Bastin, Limited, of Wellington, N.Z. Class 2.

No. 9062.—1st October, 1910.—The Wanganui Fresh Food and Ice Company, of Wanganui, N.Z. Class 42.

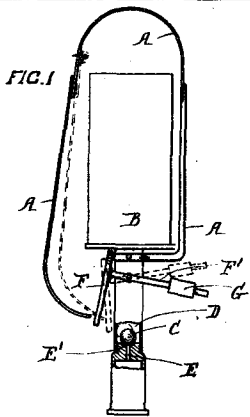
No. 9065.—4th October, 1910.—J. W. Marriott, Limited, of Auckland, N.Z. Class 42.

No. 9277.—20th December, 1910.—Dunlop Rubber Company of Australasia, Limited, of Melbourne, Vic. Class 50.

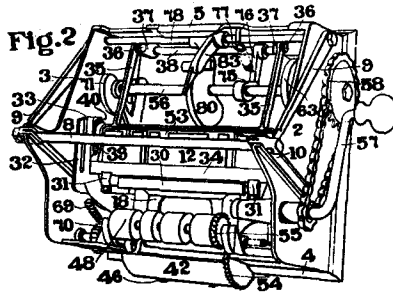
No. 9297.—11th January, 1911.—C. A. Daniel, of Philadelphia, U.S.A. Class 50.

ILLUSTRATIONS OF INVENTIONS.

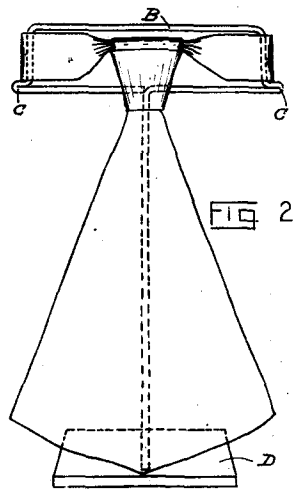
[These illustrations refer to the complete specifications accepted, and advertised in this Gazette.]



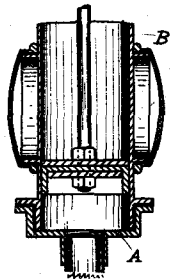
Gas-burner control valve
Oliver. 28392



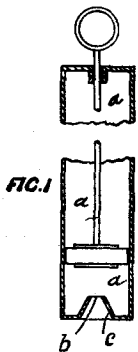
Telegraph form folder. Burn. 29555.



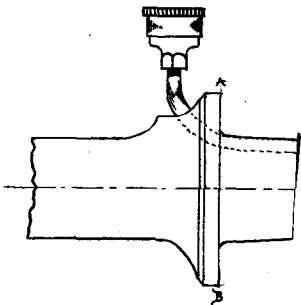
Tie exhibitor. Bicknell. 30460.



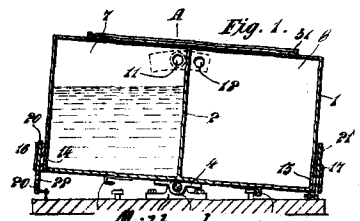
Syringe attachment
Bullen. 29698



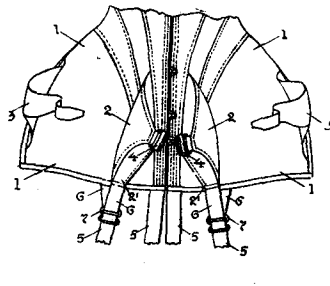
Tyre valve & pump.
Austin. 28815.



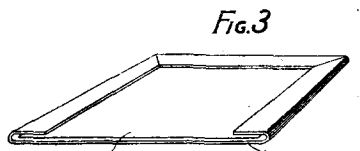
Vehicle axle. Wilkinson. 28862.



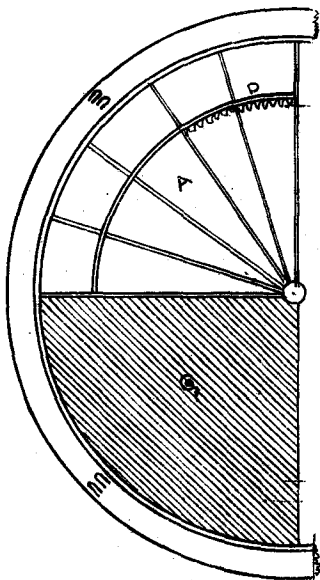
Milk releaser.
Chapman. 29641.



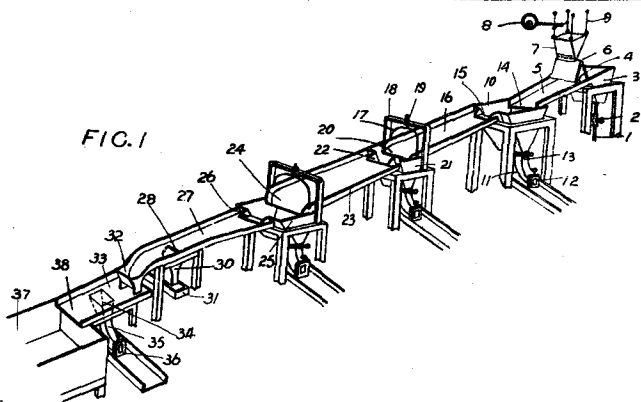
Corset. Lecoultre. 28852.



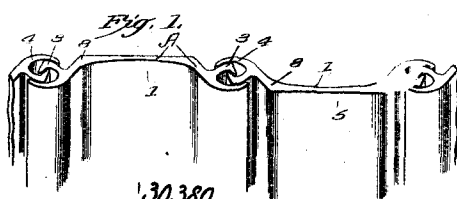
Garden, etc. label.
Stewart. 29971.



Game apparatus. Tandy.
28769.



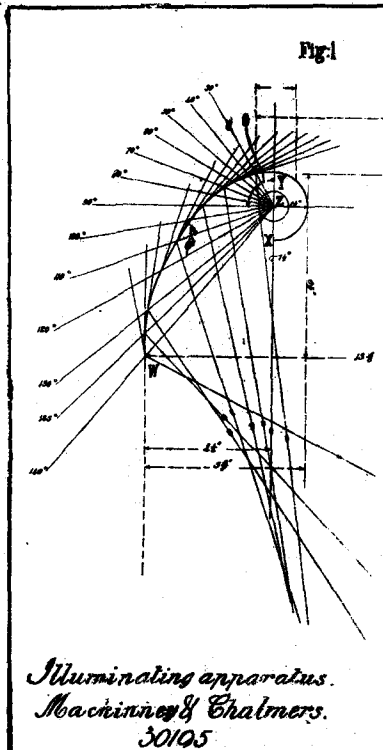
Ore treating machine. Smith. 29953.



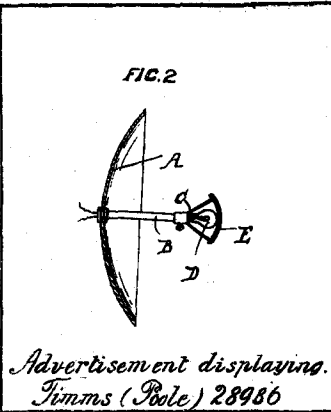
Metal sheet piling. Lachwanna Steel Co. (Conking)
30380.



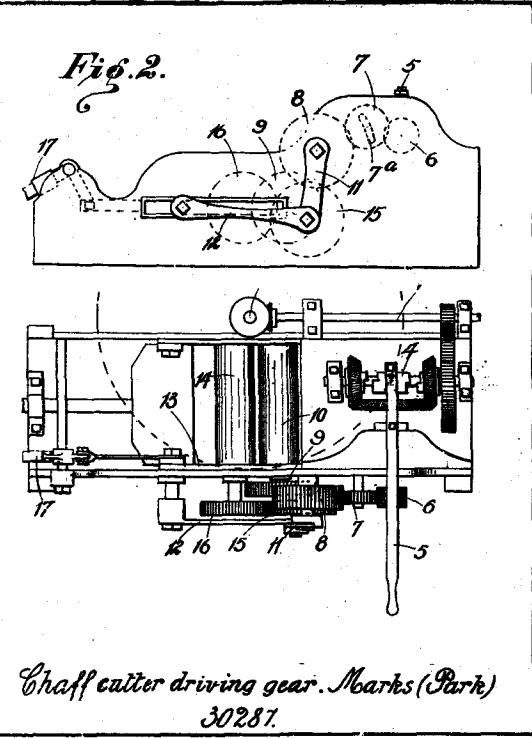
Milk sampler.
Bower. 29996



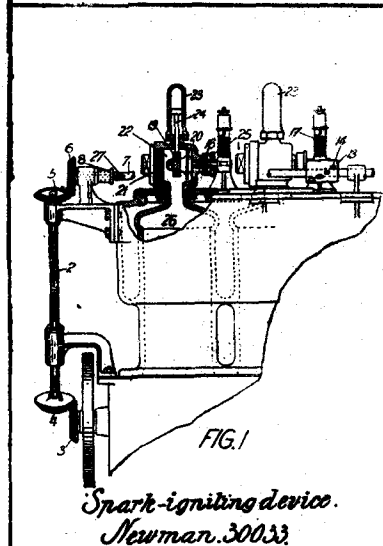
*Illuminating apparatus.
Machinney & Chalmers.
30105*



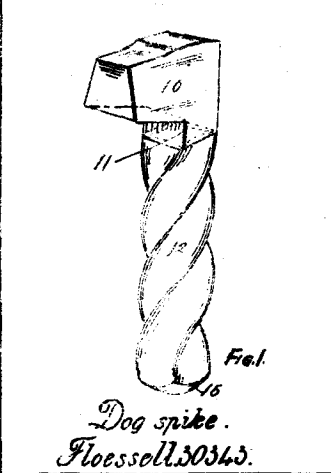
*Advertisement displaying.
Timms (Poole) 28986*



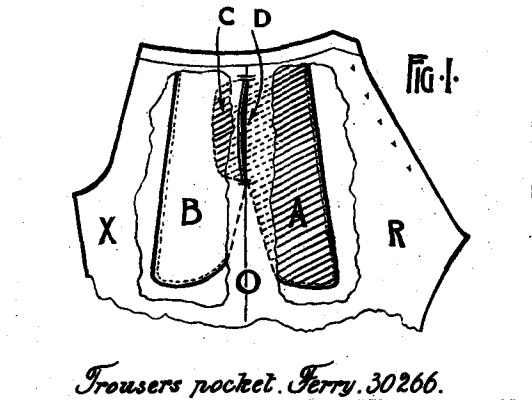
*Chaff cutter driving gear. Marks (Park)
30287.*



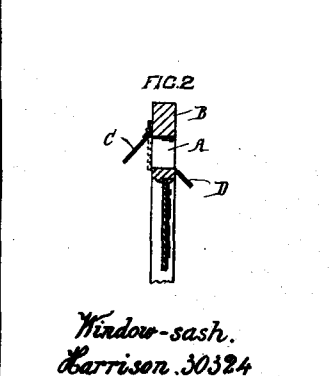
*Spark-igniting device.
Newman. 30033*



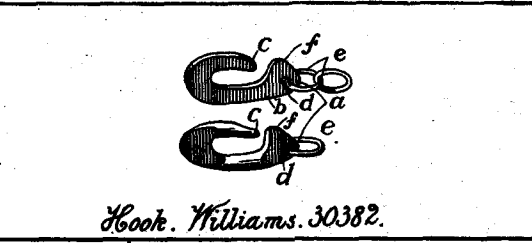
*Dog spike.
Floessell. 30345.*



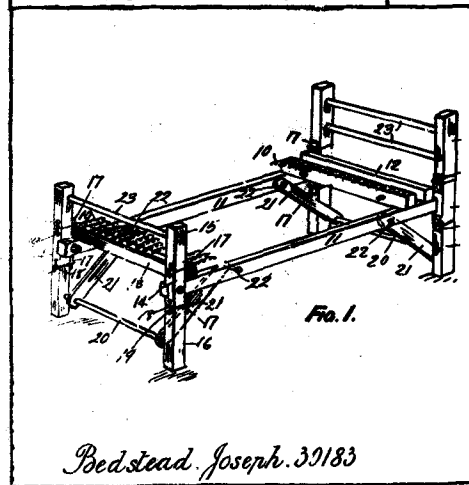
Frouzers pocket. Ferry. 30266.



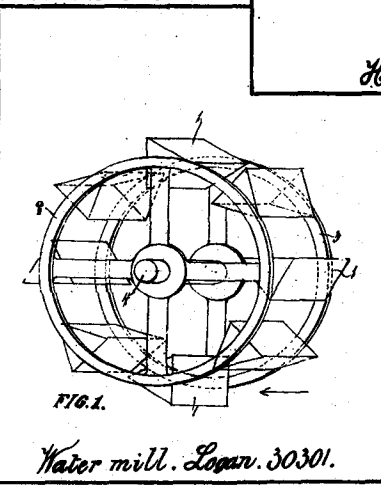
*Window-sash.
Harrison. 30324*



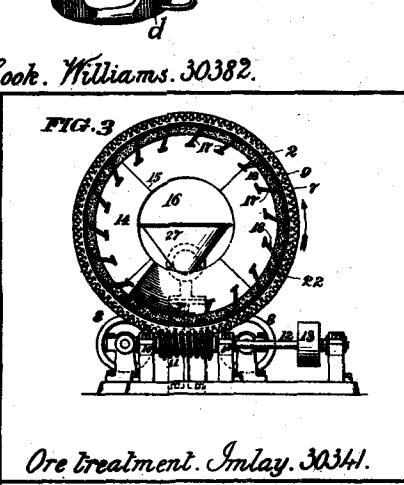
Hook. Williams. 30382.



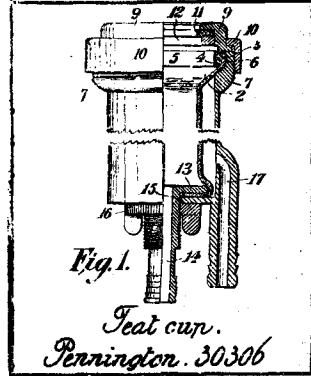
Bedstead. Joseph. 30183



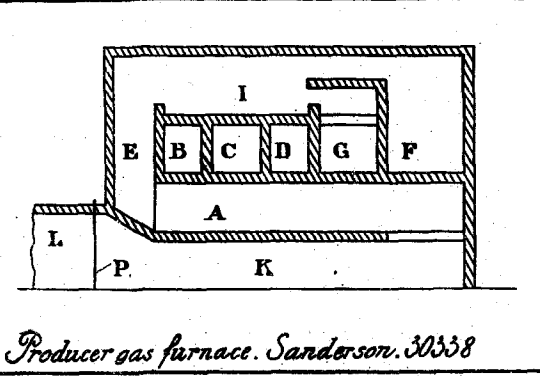
Water mill. Logan. 30301.



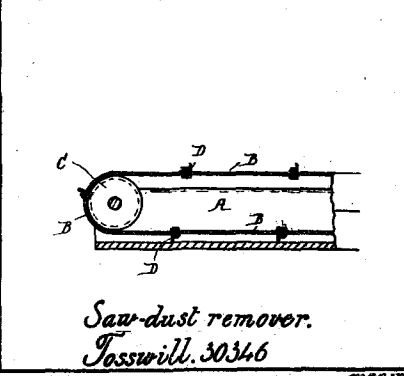
Ore treatment. Inlay. 30341.



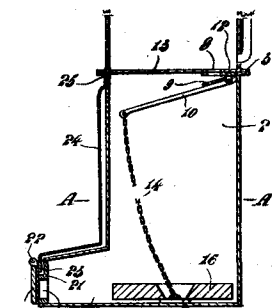
*Teal cup.
Pennington. 30306*



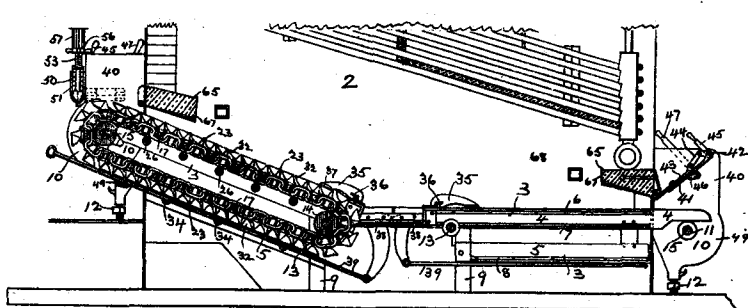
Producer gas furnace. Sanderson. 30338



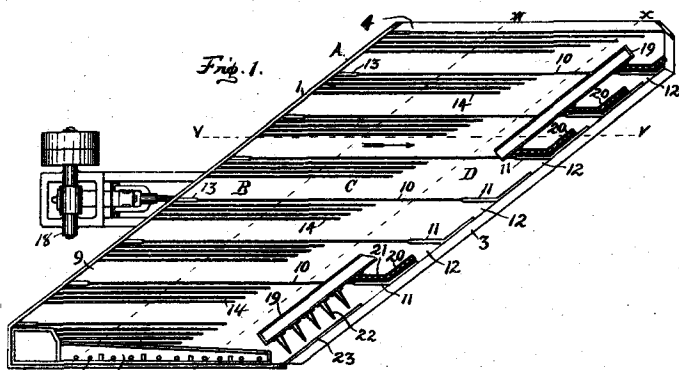
*Saw-dust remover.
Tasswill. 30346*



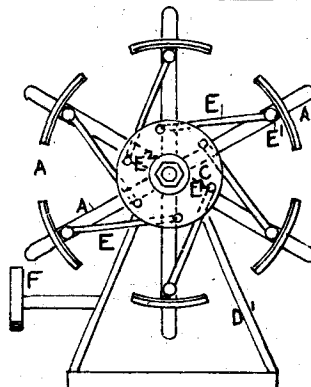
Milk releaser. Davis. 30479.



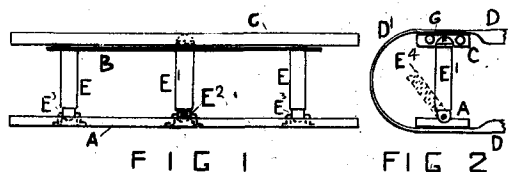
Stoker mechanism. Crowe 30418



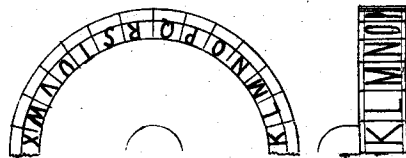
Ore concentrator. Deister. 30440.



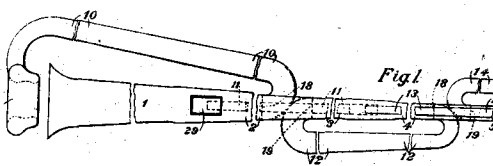
Wire coiler. Hayes. 30303



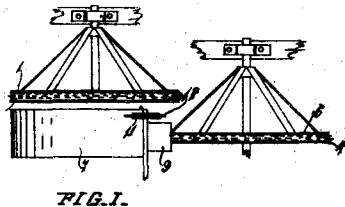
Loose-leaf book. Thomson. 30398.



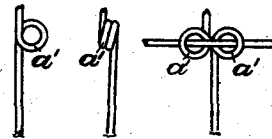
Set of rubber stamps. Glass. 30441



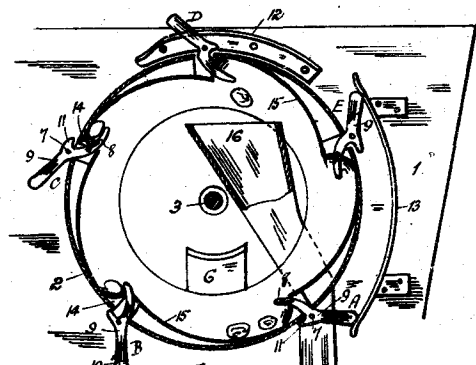
Gas compressor. Hart. 30446.



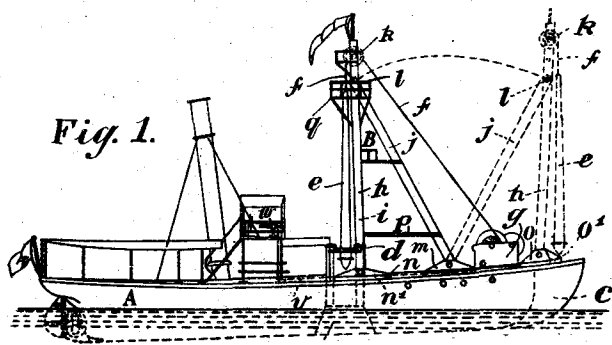
Max gripper etc. Seifert. 28973



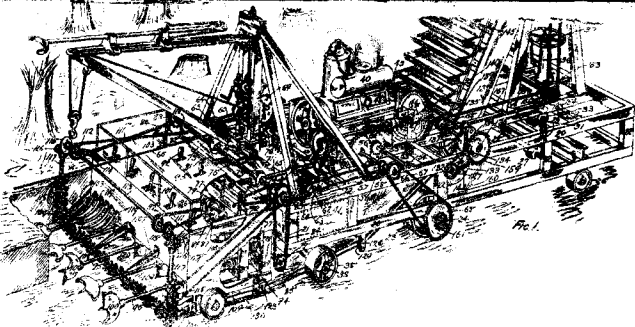
Fencing. Purser. 30376.



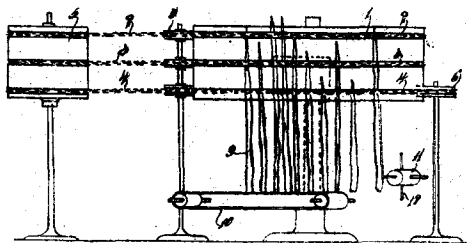
Potato dropper. Moad & Jervie. 30411.



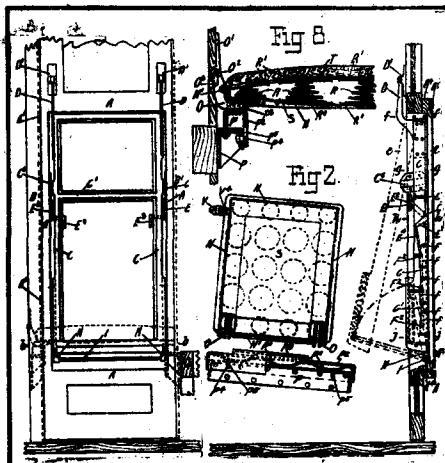
Rock-cutter. Lobnitz. 30413.



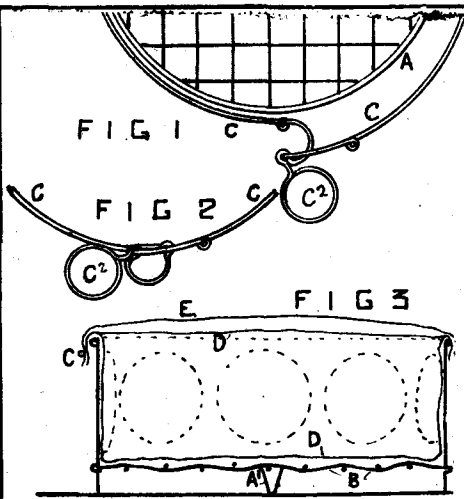
Earth excavator. Christie (Mittell) 29040.



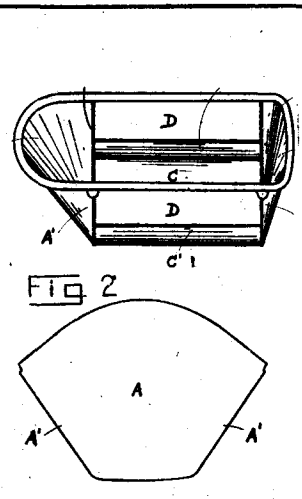
Glassblade sorter. Seifert. 28974.



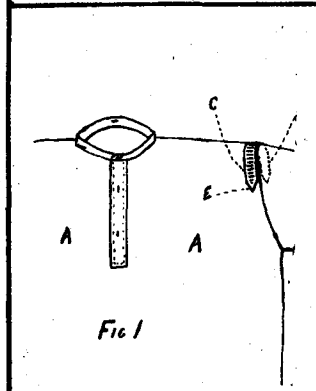
Railway car. Colborne. 30383.



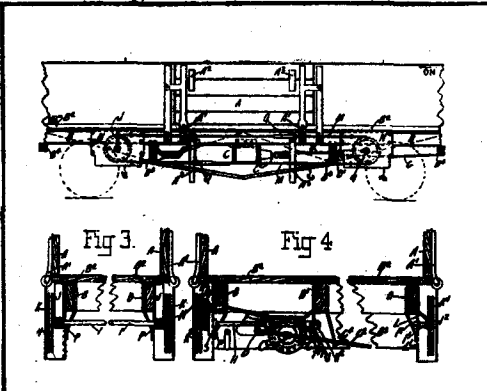
Paper cooker. White. 30302.



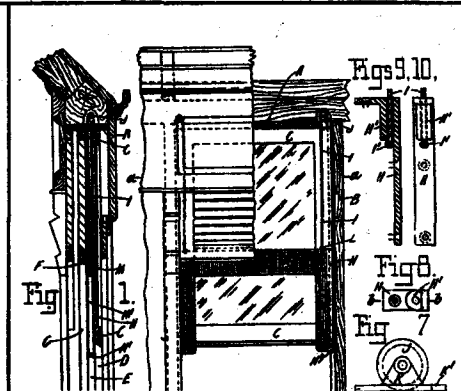
Bath. Hardley. 30347.



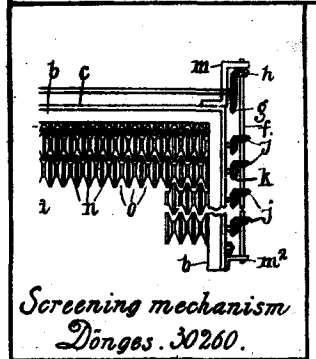
Shirt etc manufacture. Seake. 29329.



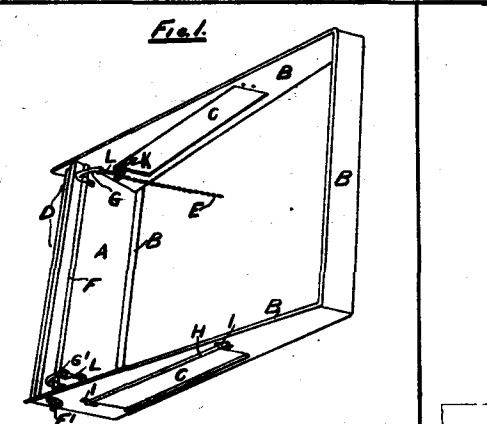
Brake mechanism. Colborne 30384.



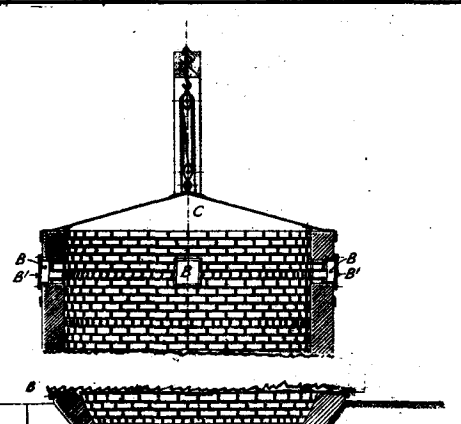
Window balancer. Colborne. 30385.



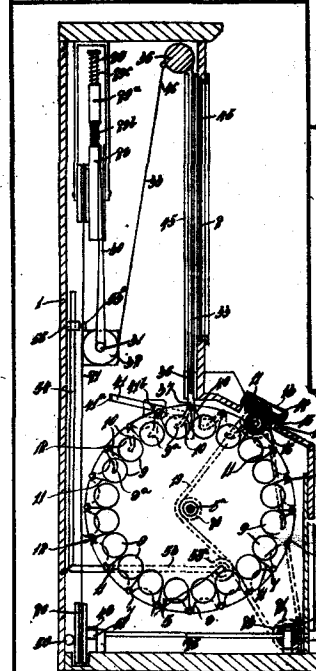
Screening mechanism. Dönges. 30260.



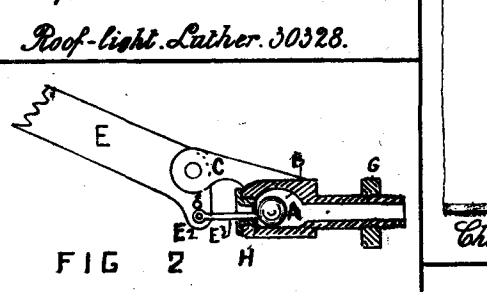
Roof-light. Lather. 30328.



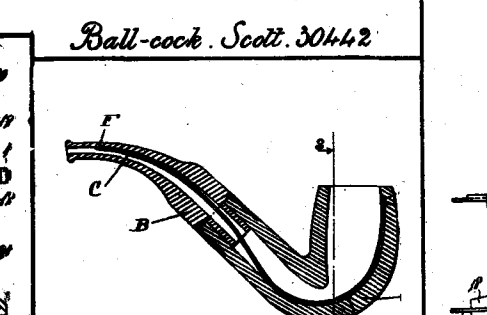
Charcoal, etc burner. Hart & Deschamps.



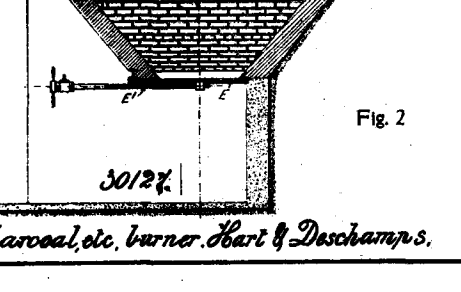
Street directory. Citizens Free Directory. Gann L. (Lith) 30386.



Ball-cock. Scott. 30442.



Pipe. Morris. 30439.



Wire strainer, cutter, etc. Coobs. 30367.